

WILDEN PUMP P400

1½" PLASTIC



MAX FLOW RATE: 450 LPM (119 GPM)
MAX PRESSURE: 8.6 BAR (125 PSI)
MAX SUCTION LIFT CAPABILITY:
 5.5 m (18.2') Dry, 9.3 m (30.6') Wet
MAX DIAMETER SOLIDS:
 6.35 mm (1/4")

WETTED HOUSINGS

Material	Ship Wt
Polypropylene	24 kg (52 lbs)
PVDF	27 kg (59 lbs)

NON-WETTED HOUSINGS

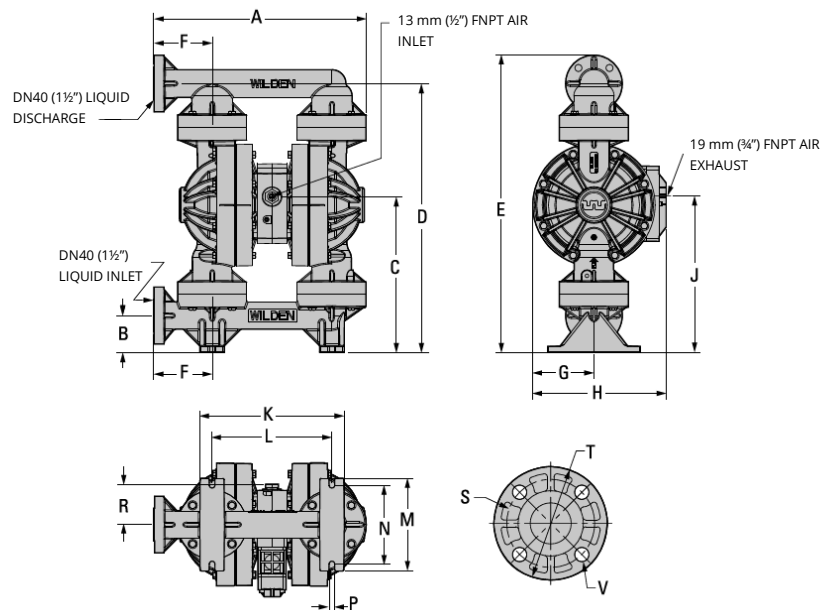
Description	Material
Center Section	Polypropylene
Air Chambers	Polypropylene
Air Valve	Polypropylene

ELASTOMER OPTIONS

Buna-N®	-12.2 (+10) to +82.2 (+180) °C (F°)
Neoprene	-17.8 (+0) to +93.3 (+200) °C (F°)
EPDM™	-51.1 (-60) to +137.8 (+280) °C (F°)
Polyurethane	-12.2 (+10) to +65.6 (+150) °C (F°)
Saniflex™	-28.9 (+20) to +104.4 (+220) °C (F°)
PTFE	+4.4 (+40) to +104.4 (+220) °C (F°)
Viton®	-40 (-40) to +176.7 (+350) °C (F°)
Wil-Flex™	-40 (-40) to +107.2 (+225) °C (F°)
Geolast®	-40 (-40) to +82 (+180) °C (F°)

DIMENSIONS

ITEM	MM	INCH
A	478	18.8
B	81	3.2
C	348	13.7
D	605	23.8
E	668	26.3
F	130	5.1
G	137	5.4
H	300	11.8
J	351	13.8
K	325	12.8
L	269	10.6
M	208	8.2
N	175	6.9
P	13	0.5
R	91	3.6
DIN FLANGE		
S	110 DIA.	4.3 DIA.
T	150 DIA.	5.9 DIA.
V	18 DIA.	.7 DIA.
ANSI FLANGE		
S	97 DIA.	3.8 DIA.
T	127 DIA.	5.0 DIA.
V	15 DIA.	.6 DIA.



HOLLAND AIR PUMPS BV

De Scheper 260
 NL 5688 HP OIRSCHOT
 THE NETHERLANDS

PHONE

+31 (0)499 551 000

FAX

+31 (0)499 551 005

VAT

NL8033.13.123.B01

ING-BANK ACC

NL79 INGB 068 29 36 022

ONLINE

WWW.HOLLANDAIRPUMPS.NL
 INFO@HOLLANDAIRPUMPS.NL

CHAMBER OF COMMERCE

ROTTERDAM 24.252.831