

WILDEN PUMP PS1510 BRAHMA



**HOLLAND
AIR
PUMPS**
PRESSURE
TO PERFORM

3" METAL



WETTED HOUSINGS

Material

Aluminum
Cast Iron

Ship Wt

81 kg (179 lbs)
159 kg (350 lbs)

NON-WETTED HOUSINGS

Description

Center Section
Air Valve

Material

Aluminum
Aluminum

MAX FLOW RATE: 882 LPM (233 GPM)

MAX PRESSURE: 8.6 BAR (125 PSI)

MAX SUCTION LIFT CAPABILITY:

7.1 m (23.3') Dry, 9.0 m (29.5') Wet

MAX DIAMETER SOLIDS:

76 mm (3")

ELASTOMER OPTIONS

Buna-N®

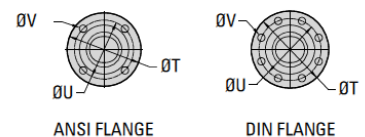
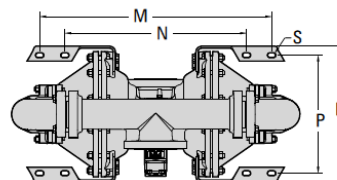
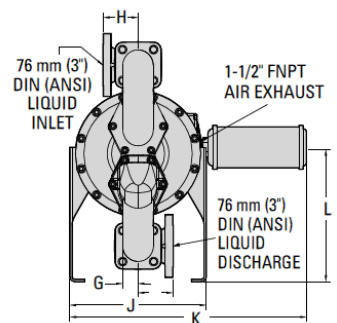
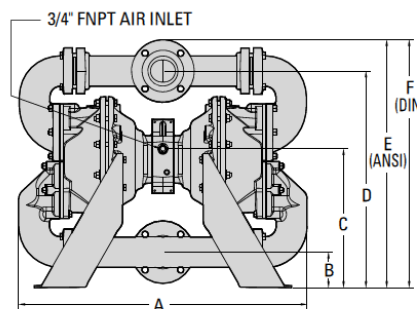
-12.2 (+10) to +82.2 (+180) °C (F°)

Neoprene

-17.8 (+0) to +93.3 (+200) °C (F°)

DIMENSIONS

ITEM	METRIC (mm)	STANDARD (inch)
A	874	34.4
B	107	4.2
C	422	16.6
D	658	25.9
E	754	29.7
F	757	29.8
G	46	1.8
H	104	4.1
J	411	16.2
K	716	28.2
L	401	15.8
M	704	27.7
N	551	21.7
P	358	14.1
R	411	16.2
S	8.0	0.3
	DIN (mm)	ANSI (inch)
T	200 DIA.	7.5 DIA.
U	160 DIA.	6.0 DIA.
V	18 DIA.	0.8 DIA.



HOLLAND AIR PUMPS BV

De Scheper 260
NL 5688 HP OIRSCHOT
THE NETHERLANDS

PHONE

+31 (0)499 551 000

FAX

+31 (0)499 551 005

VAT

NL8033.13.123.B01

ING-BANK ACC

NL79 INGB 068 29 36 022

ONLINE

WWW.HOLLANDAIRPUMPS.NL
INFO@HOLLANDAIRPUMPS.NL

CHAMBER OF COMMERCE

ROTTERDAM 24.252.831