

WILDEN PUMP XPX2 Saniflo Hygienic 1" METAL



MAX FLOW RATE: 144 LPM (38 GPM)
MAX PRESSURE: 8.6 BAR (125 PSI)
MAX SUCTION LIFT CAPABILITY:
 4.0 m (13.2') Dry, 8.6 m (28.4') Wet
MAX DIAMETER SOLIDS:
 6.4 mm (1/4")

WETTED HOUSINGS

Material 316 Stainless Steel
Ship Wt 40 kg (88 lbs)

NON-WETTED HOUSINGS

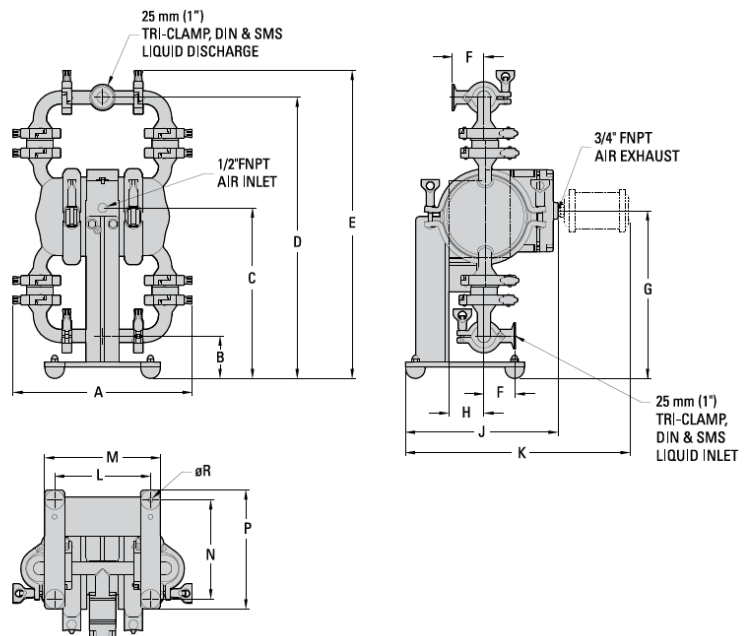
Description Center Section
 Air Valve
Material Nickel Plated Aluminum, 316 SS
 Nickel Plated Aluminum, 316 SS

ELASTOMER OPTIONS

Sanitary Buna-N® -12.2 (+10) to +82.2 (+180) °C (F°)
 Saniflex™ -28.9 (+20) to +104.4 (+220) °C (F°)
 PTFE +4.4 (+40) to +104.4 (+220) °C (F°)
 Wil-Flex™ -40 (-40) to +107.2 (+225) °C (F°)

DIMENSIONS

ITEM	METRIC (mm)	STANDARD (inch)
A	401	15.8
B	264	10.4
C	538	21.2
D	721	28.4
E	775	30.5
F	61	2.4
G	505	19.9
H	104	4.1
J	480	18.9
K	620	24.4
L	351	13.8
M	401	15.8
N	394	15.5
P	432	17.0
R	ø10	ø0.4



HOLLAND AIR PUMPS BV

De Scheper 260
 NL 5688 HP OIRSCHOT
 THE NETHERLANDS

PHONE

+31 (0)499 551 000

FAX

+31 (0)499 551 005

VAT

NL8033.13.123.B01

ING-BANK ACC

NL79 INGB 068 29 36 022

ONLINE

WWW.HOLLANDAIRPUMPS.NL
 INFO@HOLLANDAIRPUMPS.NL

CHAMBER OF COMMERCE

ROTTERDAM 24.252.831