

# WILDEN PUMP XPX2

## 1" METAL



**MAX FLOW RATE:** 170 LPM (45 GPM)  
**MAX PRESSURE:** 8.6 BAR (125 PSI)  
**MAX SUCTION LIFT CAPABILITY:**  
 5.8 m (19') Dry, 8.5 m (28') Wet  
**MAX DIAMETER SOLIDS:**  
 3.2 mm (1/8")

### WETTED HOUSINGS

<b>Material</b>	<b>Ship Wt</b>
Aluminum	12 kg (26 lbs)
316 Stainless Steel	16.6 kg (36 lbs)

### NON-WETTED HOUSINGS

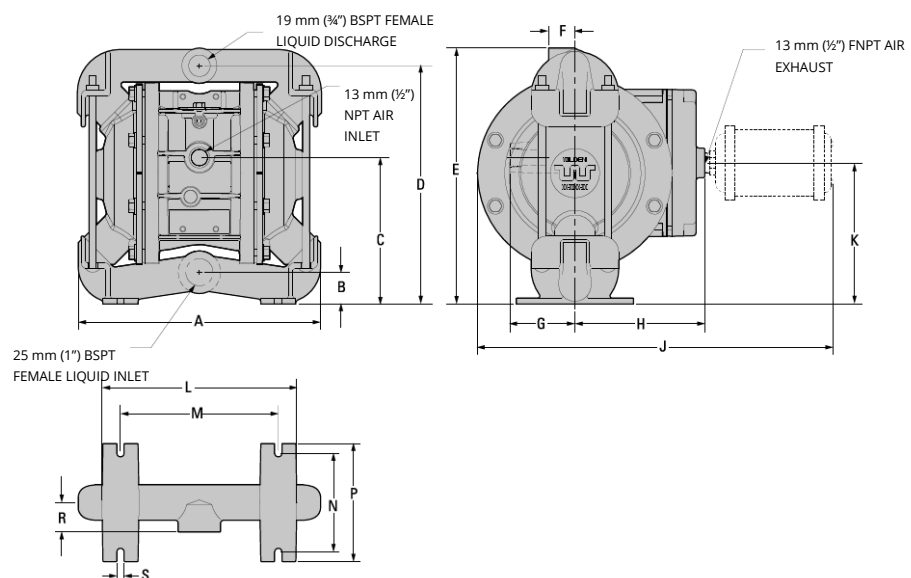
<b>Description</b>	<b>Material</b>
Center Section	Aluminum
Air Valve	Aluminum

### ELASTOMER OPTIONS

Buna-N®	-12.2 (+10) to +82.2 (+180) °C (F°)
Neoprene	-17.8 (+0) to +93.3 (+200) °C (F°)
EPDM™	-51.1 (-60) to +137.8 (+280) °C (F°)
Polyurethane	-12.2 (+10) to +65.6 (+150) °C (F°)
Saniflex™	-28.9 (+20) to +104.4 (+220) °C (F°)
PTFE	+4.4 (+40) to +104.4 (+220) °C (F°)
Viton®	-40 (-40) to +176.7 (+350) °C (F°)
Wil-Flex™	-40 (-40) to +107.2 (+225) °C (F°)
Geolast®	-40 (-40) to +82 (+180) °C (F°)

### DIMENSIONS

ITEM	METRIC (mm)	STANDARD (inch)
A	267	10.5
B	36	1.4
C	157	6.2
D	254	10.0
E	279	11.0
F	28	1.1
G	71	2.8
H	140	5.5
J	384	15.1
K	152	6.0
L	211	8.3
M	173	6.8
N	107	4.2
P	127	5.0
R	33	1.3
S	8	0.3



#### HOLLAND AIR PUMPS BV

De Schepers 260  
 NL 5688 HP OIRSCHOT  
 THE NETHERLANDS

#### PHONE

+31 (0)499 551 000

#### FAX

+31 (0)499 551 005

#### VAT

NL8033.13.123.B01

#### ING-BANK ACC

NL79 INGB 068 29 36 022

#### ONLINE

WWW.HOLLANDAIRPUMPS.NL  
 INFO@HOLLANDAIRPUMPS.NL

#### CHAMBER OF COMMERCE

ROTTERDAM 24.252.831