

WILDEN PUMP H200

1" METAL HIGH PRESSURE



MAX FLOW RATE: 93.9 LPM (45 GPM)
MAX PRESSURE: 7 BAR (102 PSI)
MAX SUCTION LIFT CAPABILITY:
 2.77 m (9.1') Dry, 9 m (29.5') Wet
MAX DIAMETER SOLIDS:
 6.4 mm (1/4")

WETTED HOUSINGS

Material	Ship Wt
Ductile iron	38 kg (84 lbs)
316 Stainless Steel	37 kg (81 lbs)

NON-WETTED HOUSINGS

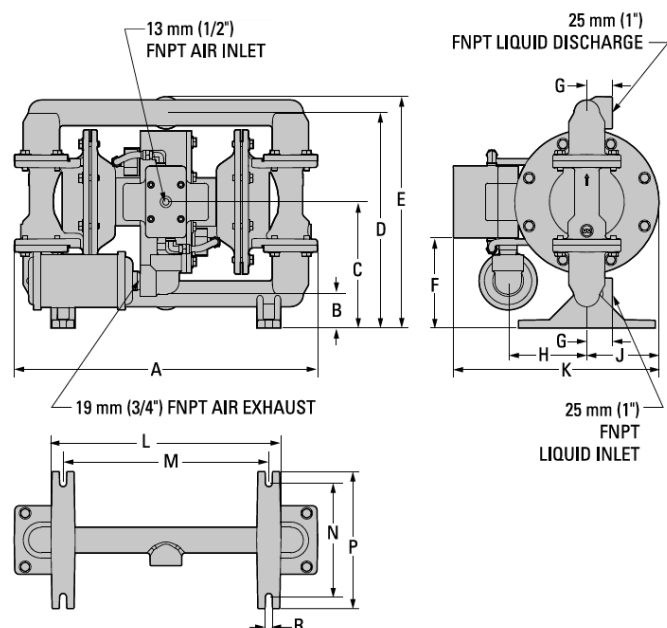
Description	Material
Center Section	Aluminum
Air Valve	Aluminum

ELASTOMER OPTIONS

Full stroke PTFE	+4.4 (+40) to +104.4 (+220) °C (F°)
Sanitary Wil-Flex™	-40 (-40) to +107.2 (+225) °C (F°)

DIMENSIONS

ITEM	METRIC (mm)	STANDARD (inch)
A	450	17.7
B	51	2.0
C	188	7.4
D	320	12.6
E	343	13.5
F	135	5.3
G	38	1.5
H	114	4.5
J	107	4.2
K	305	12.0
L	340	13.4
M	295	11.6
N	168	6.6
P	203	8.0
R	10	0.4



HOLLAND AIR PUMPS BV

De Scheper 260
 NL 5688 HP OIRSCHOT
 THE NETHERLANDS

PHONE

+31 (0)499 551 000

FAX

+31 (0)499 551 005

VAT

NL8033.13.123.B01

ING-BANK ACC

NL79 INGB 068 29 36 022

ONLINE

WWW.HOLLANDAIRPUMPS.NL
 INFO@HOLLANDAIRPUMPS.NL

CHAMBER OF COMMERCE

ROTTERDAM 24.252.831