

# WILDEN PUMP HS400S



**HOLLAND  
AIR  
PUMPS**

## 1½" METAL HIGH PRESSURE **PRESSURE TO PERFORM**



**MAX FLOW RATE:** 227 LPM (60 GPM)

**MAX PRESSURE:** 8.6 BAR (125 PSI)

**MAX SUCTION LIFT CAPABILITY:**

1.1 m (3.6') Dry, 9 m (29.5') Wet

**MAX DIAMETER SOLIDS:**

8 mm (5/16")

### WETTED HOUSINGS

**Material**

Aluminium

**Ship Wt**

27 kg (60 lbs)

### NON-WETTED HOUSINGS

**Description**

Center Section

Air Valve

**Material**

Aluminum

Aluminum

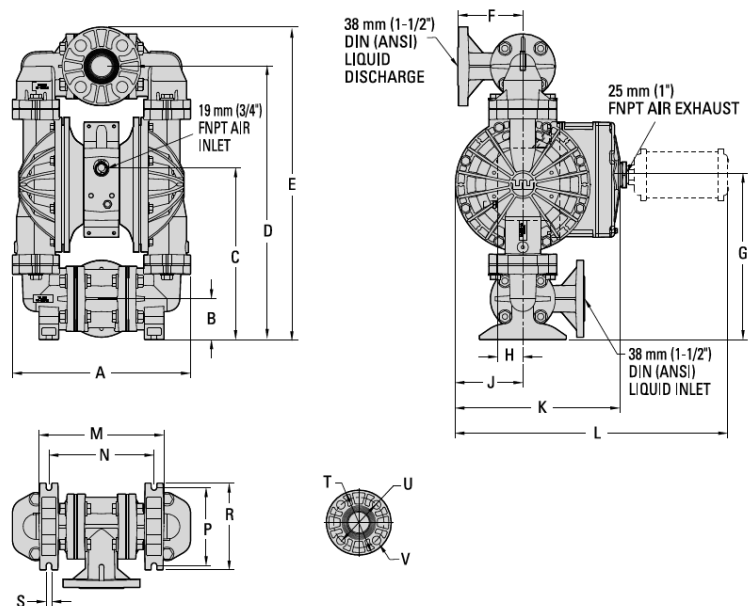
### ELASTOMER OPTIONS

Sanitary Wil-Flex™

-40 (-40) to +107.2 (+225) °C (F°)

### DIMENSIONS

| ITEM | METRIC (mm) | STANDARD (inch) |
|------|-------------|-----------------|
| A    | 343         | 13.5            |
| B    | 79          | 3.1             |
| C    | 335         | 13.2            |
| D    | 531         | 20.9            |
| E    | 605         | 23.8            |
| F    | 122         | 4.8             |
| G    | 325         | 12.8            |
| H    | 48          | 1.9             |
| J    | 132         | 5.2             |
| K    | 320         | 12.6            |
| L    | 531         | 20.9            |
| M    | 244         | 9.6             |
| N    | 206         | 8.1             |
| P    | 152         | 6.0             |
| R    | 170         | 6.7             |
| S    | 10          | 0.4             |
|      | DIN (mm)    | ANSI (inch)     |
| T    | 150 DIA.    | 5.0 DIA.        |
| U    | 110 DIA.    | 3.9 DIA.        |
| V    | 18 DIA.     | 0.6 DIA.        |



#### HOLLAND AIR PUMPS BV

De Schepers 260  
NL 5688 HP OIRSCHOT  
THE NETHERLANDS

#### PHONE

+31 (0)499 551 000

#### FAX

+31 (0)499 551 005

#### VAT

NL8033.13.123.B01

#### ING-BANK ACC

NL79 INGB 068 29 36 022

#### ONLINE

WWW.HOLLANDAIRPUMPS.NL  
INFO@HOLLANDAIRPUMPS.NL

#### CHAMBER OF COMMERCE

ROTTERDAM 24.252.831