

WILDEN PUMP P4

1½" PLASTIC



MAX FLOW RATE: 354 LPM (94 GPM)

MAX PRESSURE: 8.6 BAR (125 PSI)

MAX SUCTION LIFT CAPABILITY:

4.9 m (16') Dry, 7.9 m (26') Wet

MAX DIAMETER SOLIDS:

4.8 mm (3/16")

WETTED HOUSINGS

Material

Polypropylene

PVDF

Ship Wt

16.8 kg (37 lbs)

21.3 kg (47 lbs)

NON-WETTED HOUSINGS

Description

Center Section

Air Chambers

Air Valve

Material

Polypropylene

Aluminum, Stainless Steel 316

Polypropylene

ELASTOMER OPTIONS

Buna-N®

-12.2 (+10) to +82.2 (+180) °C (F°)

Neoprene

-17.8 (+0) to +93.3 (+200) °C (F°)

EPDM™

-51.1 (-60) to +137.8 (+280) °C (F°)

Polyurethane

-12.2 (+10) to +65.6 (+150) °C (F°)

Saniflex™

-28.9 (+20) to +104.4 (+220) °C (F°)

PTFE

+4.4 (+40) to +104.4 (+220) °C (F°)

Viton®

-40 (-40) to +176.7 (+350) °C (F°)

Wil-Flex™

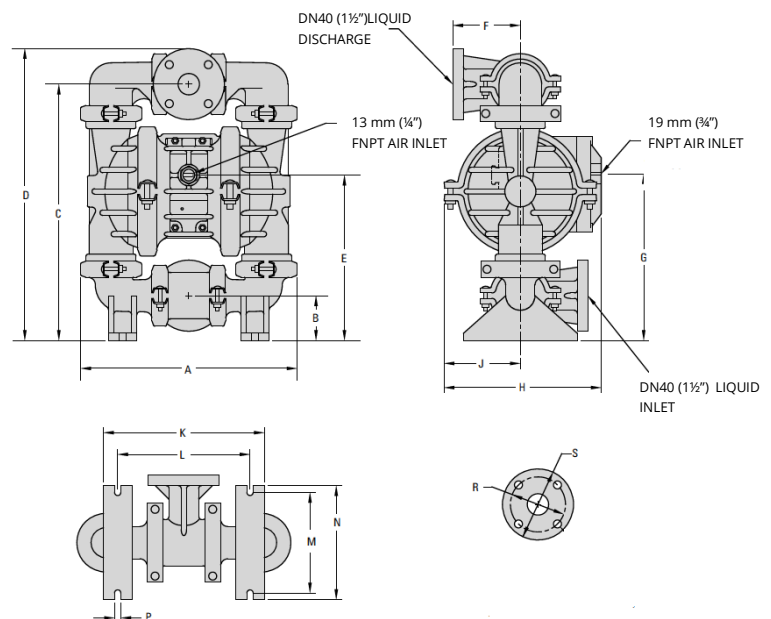
-40 (-40) to +107.2 (+225) °C (F°)

Geolast®

-40 (-40) to +82 (+180) °C (F°)

DIMENSIONS

| ITEM | METRIC (mm) | STANDARD (inch) |
|------|-------------|-----------------|
| A | 394 | 15.5 |
| B | 79 | 3.1 |
| C | 465 | 18.3 |
| D | 528 | 20.8 |
| E | 297 | 11.7 |
| F | 122 | 4.8 |
| G | 297 | 11.7 |
| H | 285 | 11.2 |
| J | 142 | 5.6 |
| K | 287 | 11.3 |
| L | 236 | 9.3 |
| M | 180 | 7.1 |
| N | 206 | 8.1 |
| P | 13 | 0.5 |
| | DIN (mm) | ANSI (inch) |
| R | 99ø | 3.9ø |
| S | 127ø | 5.0ø |



HOLLAND AIR PUMPS BV

De Schepers 260
NL 5688 HP OIRSCHOT
THE NETHERLANDS

PHONE

+31 (0)499 551 000

FAX

+31 (0)499 551 005

VAT

NL8033.13.123.B01

ING-BANK ACC

NL79 INGB 068 29 36 022

ONLINE

WWW.HOLLANDAIRPUMPS.NL
INFO@HOLLANDAIRPUMPS.NL

CHAMBER OF COMMERCE

ROTTERDAM 24.252.831