

# WILDEN PUMP P800

## 2" PLASTIC



**MAX FLOW RATE:** 693 LPM (183 GPM)

**MAX PRESSURE:** 8.6 BAR (125 PSI)

**MAX SUCTION LIFT CAPABILITY:**

6.1 m (19.1') Dry, 9.0 m (29.5') Wet

**MAX DIAMETER SOLIDS:**

6.55 mm (1/4")

### WETTED HOUSINGS

<b>Material</b>	<b>Ship Wt</b>
Polypropylene	33 kg (70 lbs)
PVDF	45 kg (88 lbs)

### NON-WETTED HOUSINGS

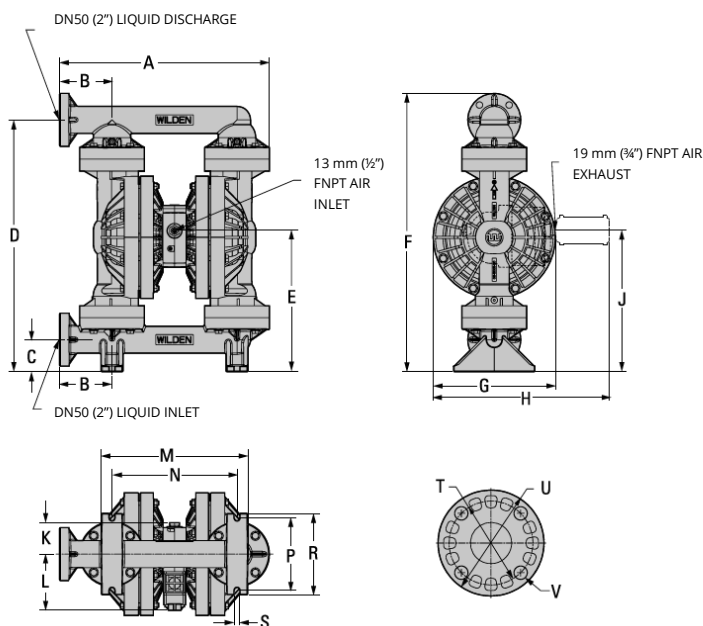
<b>Description</b>	<b>Material</b>
Center Section	Polypropylene
Air Chambers	Polypropylene
Air Valve	Polypropylene

### ELASTOMER OPTIONS

Buna-N®	-12.2 (+10) to +82.2 (+180) °C (F°)
Neoprene	-17.8 (+0) to +93.3 (+200) °C (F°)
EPDM™	-51.1 (-60) to +137.8 (+280) °C (F°)
Polyurethane	-12.2 (+10) to +65.6 (+150) °C (F°)
Saniflex™	-28.9 (+20) to +104.4 (+220) °C (F°)
PTFE	+4.4 (+40) to +104.4 (+220) °C (F°)
Viton®	-40 (-40) to +176.7 (+350) °C (F°)
Wil-Flex™	-40 (-40) to +107.2 (+225) °C (F°)
Geolast®	-40 (-40) to +82 (+180) °C (F°)

### DIMENSIONS

ITEM	MM	INCH
A	605	23.8
B	150	5.9
C	91	3.6
D	729	28.7
E	406	16.0
F	805	31.7
G	353	13.9
H	508	20.0
J	406	16.0
K	84	3.3
L	122	4.8
M	424	16.7
N	361	14.2
P	208	8.2
R	234	9.2
S	15	0.6
<b>DIN FLANGE</b>		
T	125 DIA.	4.9 DIA.
U	165 DIA.	6.5 DIA.
V	18 DIA.	0.7 DIA.
<b>ANSI FLANGE</b>		
T	122 DIA.	4.8 DIA.
U	152 DIA.	6.0 DIA.
V	20 DIA.	0.8 DIA.



#### HOLLAND AIR PUMPS BV

De Scheper 260  
NL 5688 HP OIRSCHOT  
THE NETHERLANDS

#### PHONE

+31 (0)499 551 000

#### FAX

+31 (0)499 551 005

#### VAT

NL8033.13.123.B01

#### ING-BANK ACC

NL79 INGB 068 29 36 022

#### ONLINE

WWW.HOLLANDAIRPUMPS.NL  
INFO@HOLLANDAIRPUMPS.NL

#### CHAMBER OF COMMERCE

ROTTERDAM 24.252.831