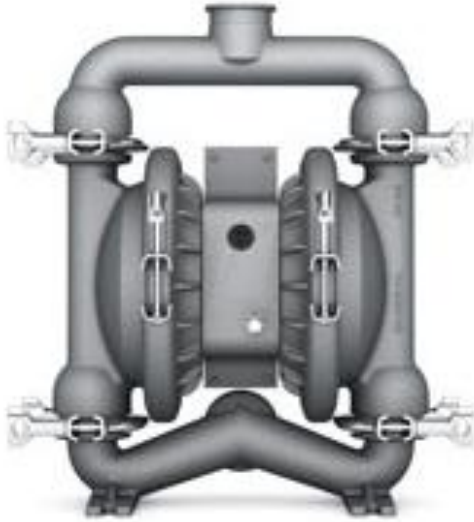


WILDEN PUMP PS4 SANIFLO FDA



1 1/2" METAL



MAX FLOW RATE: 375 LPM (99 GPM)
MAX PRESSURE: 8.6 BAR (125 PSI)
MAX SUCTION LIFT CAPABILITY:
 7 m (22.9') Dry, 8.6 m (28.4') Wet
MAX DIAMETER SOLIDS:
 4.8 mm (3/16")

WETTED HOUSINGS

Material **Ship Wt**
 316 Stainless Steel 28 kg (61 lbs)

NON-WETTED HOUSINGS

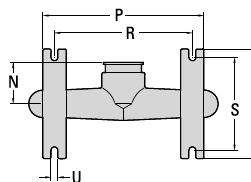
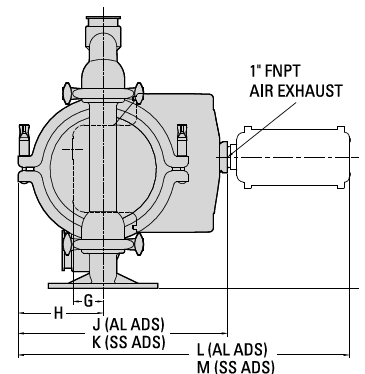
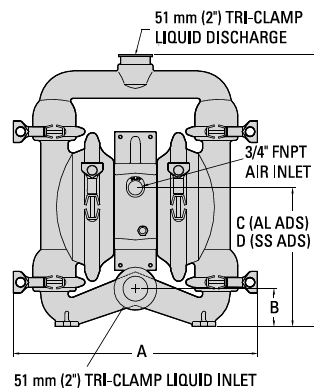
Description **Material**
 Center Section Aluminum, 316 Stainless Steel
 Air Valve Aluminum, 316 Stainless Steel

ELASTOMER OPTIONS

Buna-N® -12.2 (+10) to +82.2 (+180) °C (F°)
 EPDM™ -51.1 (-60) to +137.8 (+280) °C (F°)
 Saniflex™ -28.9 (+20) to +104.4 (+220) °C (F°)
 PTFE +4.4 (+40) to +104.4 (+220) °C (F°)
 Wil-Flex™ -40 (-40) to +107.2 (+225) °C (F°)

DIMENSIONS

ITEM	METRIC (mm)	STANDARD (inch)
A	396	15.6
B	64	2.5
C	225	8.9
D	231	9.1
E	442	17.4
F	213	8.4
G	48	1.9
H	138	5.4
J	340	13.4
K	327	12.9
L	527	21.1
M	525	20.7
N	67	2.7
P	261	10.3
R	224	8.8
S	151	5.9
T	178	7.0
U	10	0.4



HOLLAND AIR PUMPS BV

De Scheper 260
 NL 5688 HP OIRSCHOT
 THE NETHERLANDS

PHONE

+31 (0)499 551 000

FAX

+31 (0)499 551 005

VAT

NL8033.13.123.B01

ING-BANK ACC

NL79 INGB 068 29 36 022

ONLINE

WWW.HOLLANDAIRPUMPS.NL
 INFO@HOLLANDAIRPUMPS.NL

CHAMBER OF COMMERCE

ROTTERDAM 24.252.831