

WILDEN PUMP PS8 SANIFLO FDA



2 1/2" METAL



MAX FLOW RATE: 723 LPM (191 GPM)
MAX PRESSURE: 8.6 BAR (125 PSI)
MAX SUCTION LIFT CAPABILITY:
 7.2 m (23.8') Dry, 9 m (29.5') Wet
MAX DIAMETER SOLIDS:
 6.4 mm (1/4")

WETTED HOUSINGS

Material **Ship Wt**
 316 Stainless Steel 53 kg (117 lbs)

NON-WETTED HOUSINGS

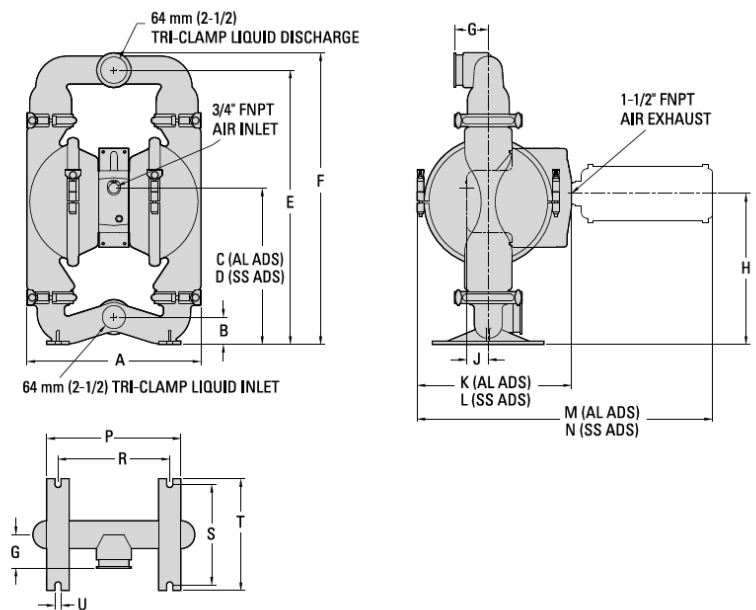
Description **Material**
 Center Section Aluminum, 316 Stainless Steel
 Air Valve Aluminum, 316 Stainless Steel

ELASTOMER OPTIONS

Buna-N® -12.2 (+10) to +82.2 (+180) °C (F°)
 EPDM™ -51.1 (-60) to +137.8 (+280) °C (F°)
 Saniflex™ -28.9 (+20) to +104.4 (+220) °C (F°)
 PTFE +4.4 (+40) to +104.4 (+220) °C (F°)
 Wil-Flex™ -40 (-40) to +107.2 (+225) °C (F°)

DIMENSIONS

ITEM	METRIC (mm)	STANDARD (inch)
A	408	16.1
B	64	2.5
C	355	14
D	361	14.2
E	625	24.6
F	665	26.2
G	76	3
H	343	13.5
J	48	1.9
K	351	13.8
L	339	13.3
M	672	26.4
N	659	26
P	305	12
R	254	10
S	229	9
T	254	10
U	15 DIA.	0.6 DIA.



HOLLAND AIR PUMPS BV

De Scheper 260
 NL 5688 HP OIRSCHOT
 THE NETHERLANDS

PHONE

+31 (0)499 551 000

FAX

+31 (0)499 551 005

VAT

NL8033.13.123.B01

ING-BANK ACC

NL79 INGB 068 29 36 022

ONLINE

WWW.HOLLANDAIRPUMPS.NL
 INFO@HOLLANDAIRPUMPS.NL

CHAMBER OF COMMERCE

ROTTERDAM 24.252.831