

# WILDEN PUMP XPS20

## 4" METAL



**MAX FLOW RATE:** 1037 LPM (274 GPM)

**MAX PRESSURE:** 8.6 BAR (125 PSI)

**MAX SUCTION LIFT CAPABILITY:**

4.4 m (13.5') Dry, 8.6 m (28.4') Wet

**MAX DIAMETER SOLIDS:**

35 mm (1 3/8")

### WETTED HOUSINGS

**Material**  
Cast Iron

**Ship Wt**  
223 kg (492 lbs)

### NON-WETTED HOUSINGS

**Description**  
Center Section  
Air Valve  
Air Chambers

**Material**  
Aluminum / Stainless Steel  
Aluminum / Stainless Steel  
Aluminum / Stainless Steel

### ELASTOMER OPTIONS

Buna-N® -12.2 (+10) to +82.2 (+180) °C (F°)

Neoprene -17.8 (+0) to +93.3 (+200) °C (F°)

EPDM™ -51.1 (-60) to +137.8 (+280) °C (F°)

Polyurethane -12.2 (+10) to +65.6 (+150) °C (F°)

Saniflex™ -28.9 (+20) to +104.4 (+220) °C (F°)

PTFE +4.4 (+40) to +104.4 (+220) °C (F°)

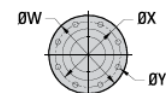
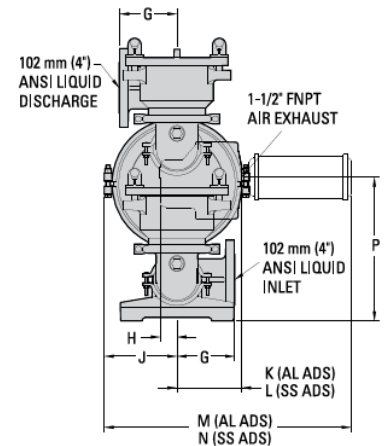
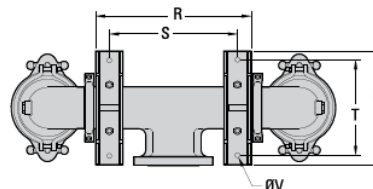
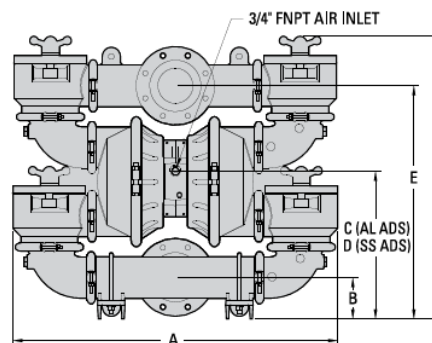
Viton® -40 (-40) to +176.7 (+350) °C (F°)

Wil-Flex™ -40 (-40) to +107.2 (+225) °C (F°)

Geolast® -40 (-40) to +82 (+180) °C (F°)

### DIMENSIONS

ITEM	METRIC (mm)	STANDARD (inch)
A	950	37.4
B	119	4.7
C	429	16.9
D	438	17.2
E	681	26.8
F	826	32.5
G	168	6.6
H	49	1.9
J	213	8.4
K	178	7.0
L	189	7.4
M	710	28.0
N	722	28.4
P	420	16.5
R	455	17.9
S	375	14.8
T	279	11.0
U	332	13.1
V	15 DIA.	0.6 DIA.
<b>ANSI FLANGE</b>		
W	231 DIA.	9.1 DIA.
X	191 DIA.	7.5 DIA.
Y	18 DIA.	0.7 DIA.



#### HOLLAND AIR PUMPS BV

De Schepers 260  
NL 5688 HP OIRSCHOT  
THE NETHERLANDS

#### PHONE

+31 (0)499 551 000

#### FAX

+31 (0)499 551 005

#### VAT

NL8033.13.123.B01

#### ING-BANK ACC

NL79 INGB 068 29 36 022

#### ONLINE

WWW.HOLLANDAIRPUMPS.NL  
INFO@HOLLANDAIRPUMPS.NL

#### CHAMBER OF COMMERCE

ROTTERDAM 24.252.831