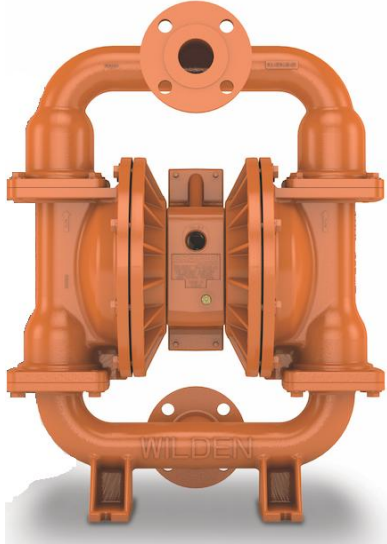


WILDEN PUMP XPS430

1½" METAL FIT



MAX FLOW RATE: 510 LPM (135 GPM)
MAX PRESSURE: 8.6 BAR (125 PSI)
MAX SUCTION LIFT CAPABILITY:
 5.9 m (19.5') Dry, 9.0 m (29.5') Wet
MAX DIAMETER SOLIDS:
 6.4 mm (1/4")

WETTED HOUSINGS

Material
 Aluminum

Ship Wt
 28 kg (62 lbs)

NON-WETTED HOUSINGS

Description
 Center Section
 Air Valve

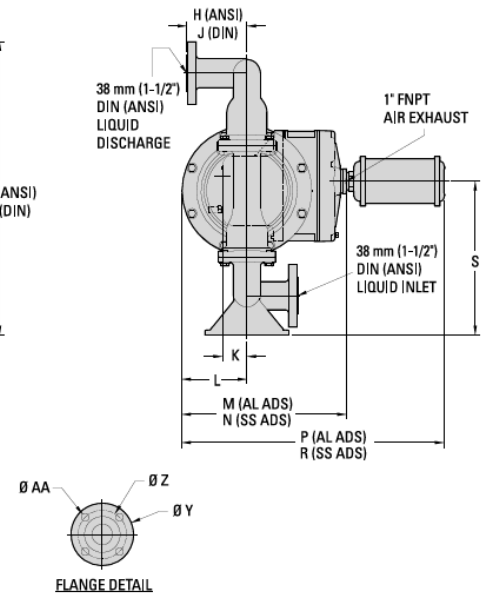
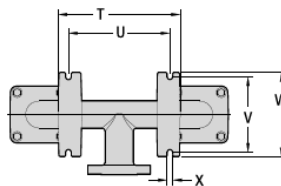
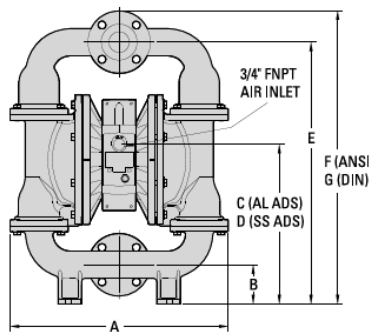
Material
 Aluminum
 Aluminum

ELASTOMER OPTIONS

Buna-N® -12.2 (+10) to +82.2 (+180) °C (F°)
 Neoprene -17.8 (+0) to +93.3 (+200) °C (F°)
 EPDM™ -51.1 (-60) to +137.8 (+280) °C (F°)
 Polyurethane -12.2 (+10) to +65.6 (+150) °C (F°)
 Saniflex™ -28.9 (+20) to +104.4 (+220) °C (F°)
 PTFE +4.4 (+40) to +104.4 (+220) °C (F°)
 Viton® -40 (-40) to +176.7 (+350) °C (F°)
 Wil-Flex™ -40 (-40) to +107.2 (+225) °C (F°)
 Geolast® -40 (-40) to +82 (+180) °C (F°)

DIMENSIONS

ITEM	METRIC (mm)	STANDARD (inch)
A	442	17.4
B	80	3.1
C	324	12.7
D	330	13.0
E	531	20.9
F	594	23.4
G	606	23.9
H	122	4.8
J	122	4.8
K	50	2.0
L	132	5.2
M	334	13.1
N	321	12.7
P	531	20.9
R	519	20.4
S	312	12.3
T	247	9.7
U	206	8.1
V	152	6.0
W	170	6.7
X	11	0.4
	DIN (mm)	ANSI (Inch)
Y	150 DIA.	5.0 DIA.
Z	109 DIA.	3.9 DIA.
AA	18 DIA.	0.6 DIA.



HOLLAND AIR PUMPS BV

De Schepers 260
 NL 5688 HP OIRSCHOT
 THE NETHERLANDS

PHONE

+31 (0)499 551 000

FAX

+31 (0)499 551 005

VAT

NL8033.13.123.B01

ING-BANK ACC

NL79 INGB 068 29 36 022

ONLINE

WWW.HOLLANDAIRPUMPS.NL
 INFO@HOLLANDAIRPUMPS.NL

CHAMBER OF COMMERCE

ROTTERDAM 24.252.831