

# WILDEN PUMP XPS820

## 2" METAL FIT



**MAX FLOW RATE:** 704 LPM (186 GPM)  
**MAX PRESSURE:** 8.6 BAR (125 PSI)  
**MAX SUCTION LIFT CAPABILITY:**  
 6.5 m (21.8') Dry, 9.0 m (29.5') Wet  
**MAX DIAMETER SOLIDS:**  
 6.4 mm (1/4")

### WETTED HOUSINGS

**Material**  
 Aluminum

**Ship Wt**  
 47 kg (104 lbs)

### NON-WETTED HOUSINGS

**Description**  
 Center Section  
 Air Valve

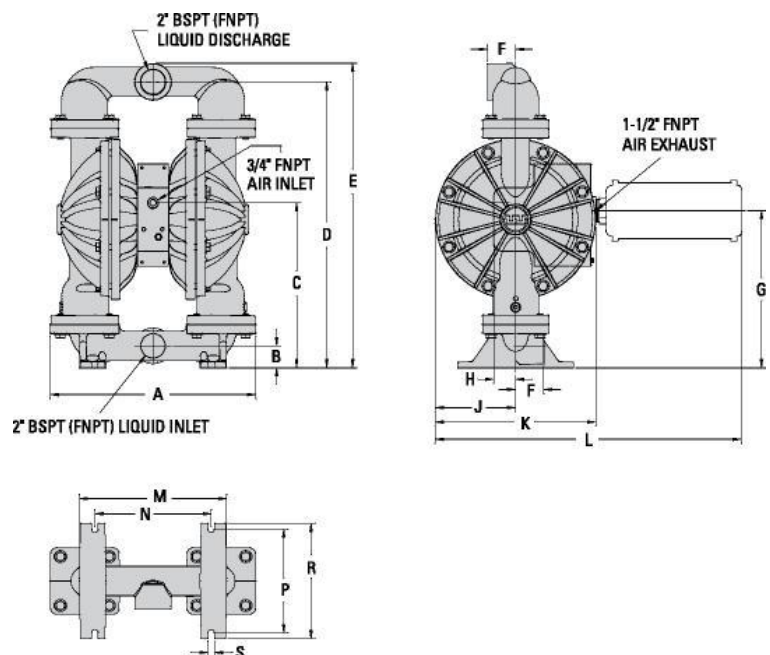
**Material**  
 Aluminum  
 Aluminum,

### ELASTOMER OPTIONS

Buna-N® -12.2 (+10) to +82.2 (+180) °C (F°)  
 Neoprene -17.8 (+0) to +93.3 (+200) °C (F°)  
 EPDM™ -51.1 (-60) to +137.8 (+280) °C (F°)  
 Polyurethane -12.2 (+10) to +65.6 (+150) °C (F°)  
 Saniflex™ -28.9 (+20) to +104.4 (+220) °C (F°)  
 PTFE +4.4 (+40) to +104.4 (+220) °C (F°)  
 Viton® -40 (-40) to +176.7 (+350) °C (F°)  
 Wil-Flex™ -40 (-40) to +107.2 (+225) °C (F°)  
 Geolast® -40 (-40) to +82 (+180) °C (F°)

### DIMENSIONS

| ITEM | METRIC (mm) | STANDARD (Inch) |
|------|-------------|-----------------|
| A    | 452         | 17.8            |
| B    | 64          | 2.5             |
| C    | 372         | 14.7            |
| D    | 620         | 24.4            |
| E    | 658         | 25.9            |
| F    | 58          | 2.3             |
| G    | 354         | 14.0            |
| H    | 48          | 1.9             |
| J    | 178         | 7.0             |
| K    | 353         | 13.9            |
| L    | 674         | 26.5            |
| M    | 305         | 12.0            |
| N    | 254         | 10.0            |
| P    | 229         | 9.0             |
| R    | 254         | 10.0            |
| S    | 15          | 0.6             |



#### HOLLAND AIR PUMPS BV

De Schepers 260  
 NL 5688 HP OIRSCHOT  
 THE NETHERLANDS

#### PHONE

+31 (0)499 551 000

#### FAX

+31 (0)499 551 005

#### VAT

NL8033.13.123.B01

#### ING-BANK ACC

NL79 INGB 068 29 36 022

#### ONLINE

WWW.HOLLANDAIRPUMPS.NL  
 INFO@HOLLANDAIRPUMPS.NL

#### CHAMBER OF COMMERCE

ROTTERDAM 24.252.831