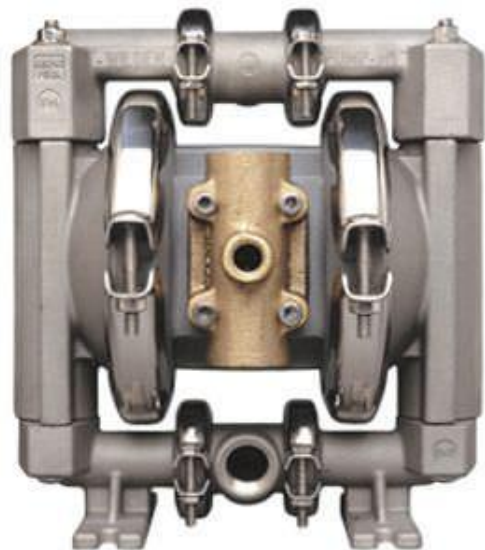


# WILDEN PUMP T1

## 1/2" METAL



**MAX FLOW RATE:** 55 LPM (14.5 GPM)

**MAX PRESSURE:** 8.6 BAR (125 PSI)

**MAX SUCTION LIFT CAPABILITY:**

1.22 m (4') Dry, 9.14 m (30') Wet

**MAX DIAMETER SOLIDS:**

1.6 mm (1/16")

### WETTED HOUSINGS

**Material**  
Aluminum

**Ship Wt**  
6 kg (13 lbs)

### NON-WETTED HOUSINGS

**Description**  
Center Section  
Air Valve

**Material**  
Aluminum  
Brass

### ELASTOMER OPTIONS

Buna-N® -12.2 (+10) to +82.2 (+180) °C (F°)

EPDM™ -51.1 (-60) to +137.8 (+280) °C (F°)

Polyurethane -12.2 (+10) to +65.6 (+150) °C (F°)

Saniflex™ -28.9 (+20) to +104.4 (+220) °C (F°)

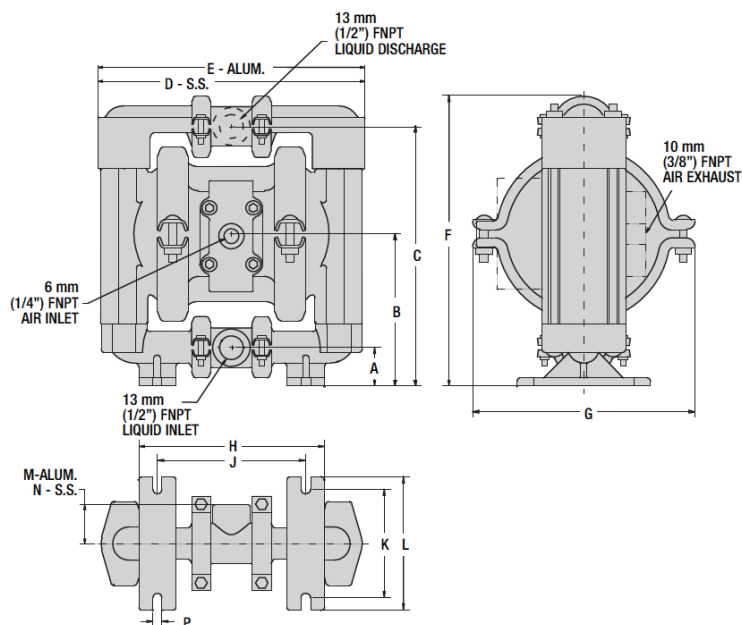
PTFE +4.4 (+40) to +104.4 (+220) °C (F°)

Viton® -40 (-40) to +176.7 (+350) °C (F°)

Wil-Flex™ -40 (-40) to +107.2 (+225) °C (F°)

## DIMENSIONS

ITEM	METRIC (mm)	STANDARD (inch)
A	28	1.1
B	117	4.6
C	198	7.8
D	203	8.0
E	208	8.2
F	224	8.8
G	175	6.9
H	140	5.5
J	112	4.4
K	84	3.3
L	102	4.0
M	30	1.2
N	30	1.2
P	8	0.3



### HOLLAND AIR PUMPS BV

De Scheper 260  
NL 5688 HP OIRSCHOT  
THE NETHERLANDS

### PHONE

+31 (0)499 551 000

### FAX

+31 (0)499 551 005

### VAT

NL8033.13.123.B01

### ING-BANK ACC

NL79 INGB 068 29 36 022

### ONLINE

WWW.HOLLANDAIRPUMPS.NL  
INFO@HOLLANDAIRPUMPS.NL

### CHAMBER OF COMMERCE

ROTTERDAM 24.252.831