

WILDEN PUMP PS4 Saniflo Hygienic 1½" METAL



MAX FLOW RATE: 357 LPM (94 GPM)

MAX PRESSURE: 8.6 BAR (125 PSI)

MAX SUCTION LIFT CAPABILITY:

5.3 m (17.3') Dry, 9.0 m (29.5') Wet

MAX DIAMETER SOLIDS:

12.7 mm (½")

DIMENSIONS

ITEM	METRIC (mm)	STANDARD (inch)
A	440	17.5
B	190	7.5
C	531	20.9
D	538	21.2
E	812	32.0
F	864	34.0
G	45	1.8
H	47	1.9
J	522	20.5
K	509	20.0
L	721	28.4
M	709	27.9
N	520	20.5
P	400	15.8
R	349	13.8
S	394	15.5
T	432	17.0
U	Ø10	Ø0.4

WETTED HOUSINGS

Material

316 Stainless Steel

Ship Wt

51 kg (112 lbs)

NON-WETTED HOUSINGS

Description

Center Section

Air Valve

Material

Nickel Plated Aluminum, 316 SS

Nickel Plated Aluminum, 316 SS

ELASTOMER OPTIONS

Sanitary Buna-N®

-12.2 (+10) to +82.2 (+180) °C (F°)

Saniflex™

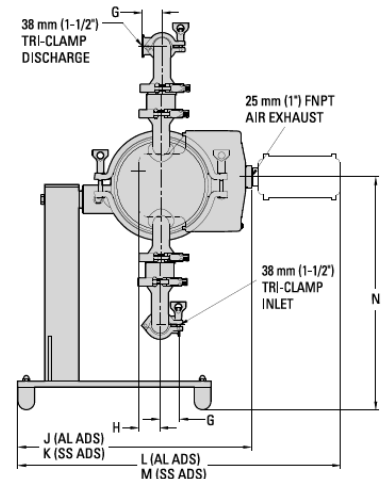
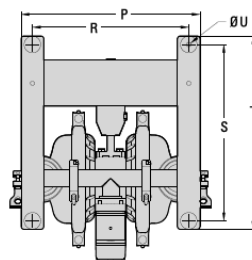
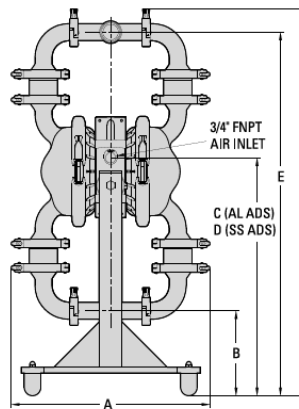
-28.9 (+20) to +104.4 (+220) °C (F°)

PTFE

+4.4 (+40) to +104.4 (+220) °C (F°)

Wil-Flex™

-40 (-40) to +107.2 (+225) °C (F°)



HOLLAND AIR PUMPS BV

De Schepers 260
NL 5688 HP OIRSCHOT
THE NETHERLANDS

PHONE

+31 (0)499 551 000

FAX

+31 (0)499 551 005

VAT

NL8033.13.123.B01

ING-BANK ACC

NL79 INGB 068 29 36 022

ONLINE

WWW.HOLLANDAIRPUMPS.NL
INFO@HOLLANDAIRPUMPS.NL

CHAMBER OF COMMERCE

ROTTERDAM 24.252.831