

E-Series Exploded Views

E 08 / E 10

E 15 – E 50

Barrier Chamber

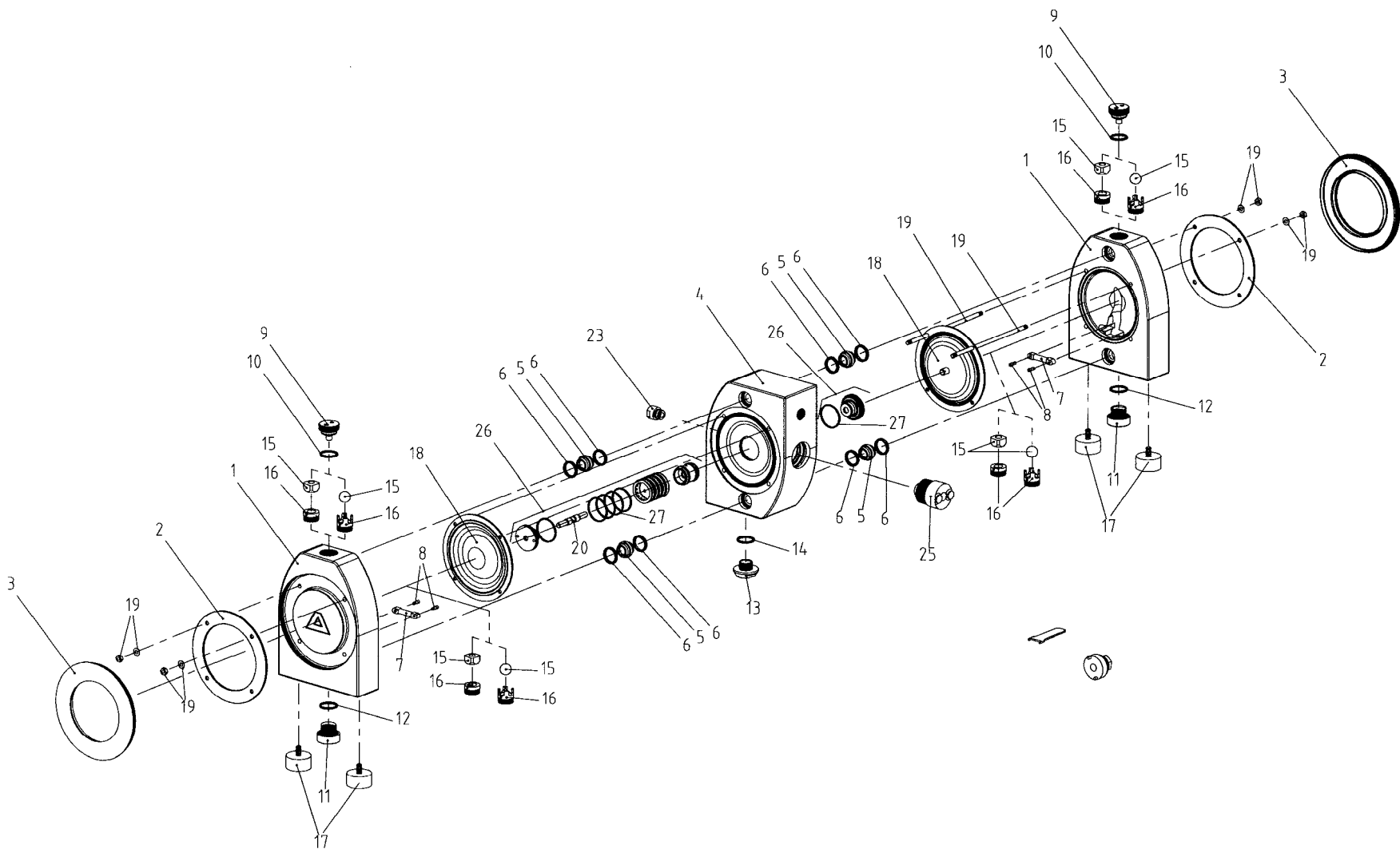
Draining System

Damper ET

Damper ET-F

**Please choose
your pump size or
optional equipment**

E 08 / E 10

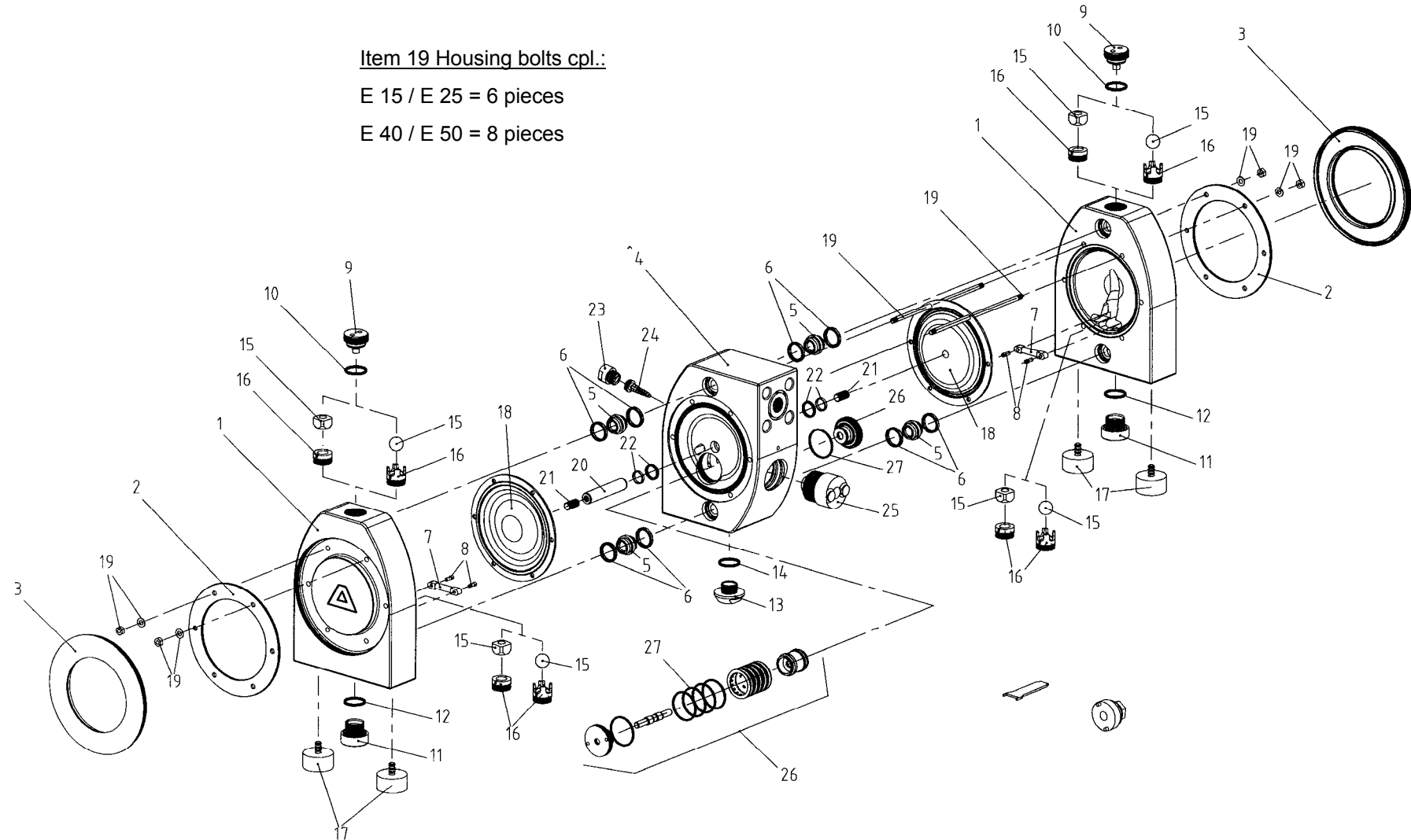


E 15 – E 50

Item 19 Housing bolts cpl.:

E 15 / E 25 = 6 pieces

E 40 / E 50 = 8 pieces





Barrier Chamber System



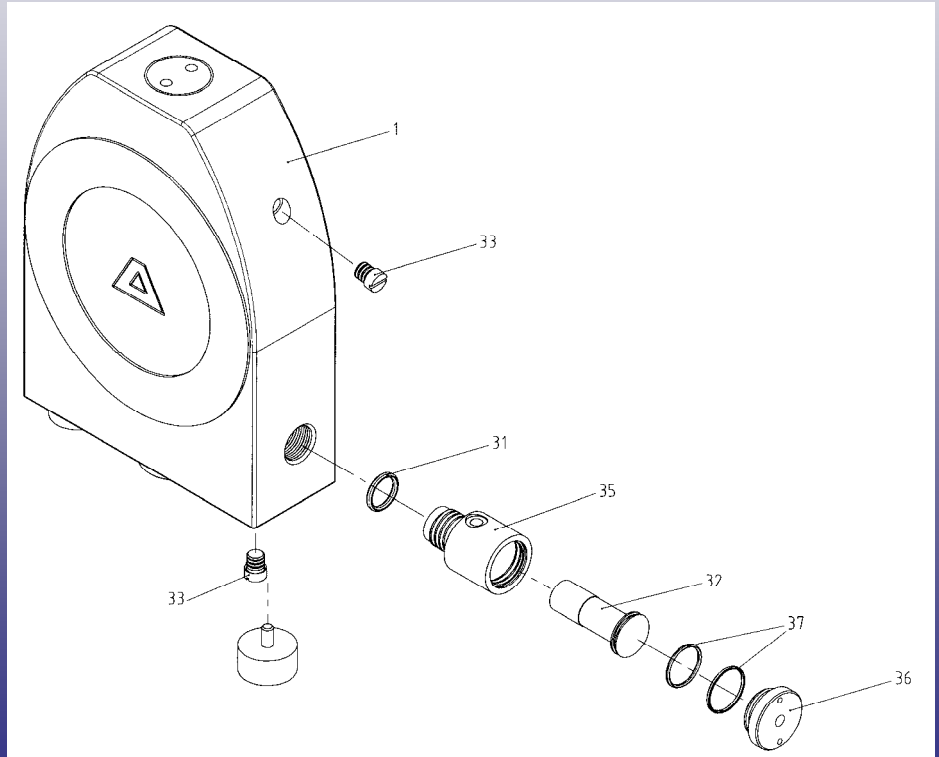
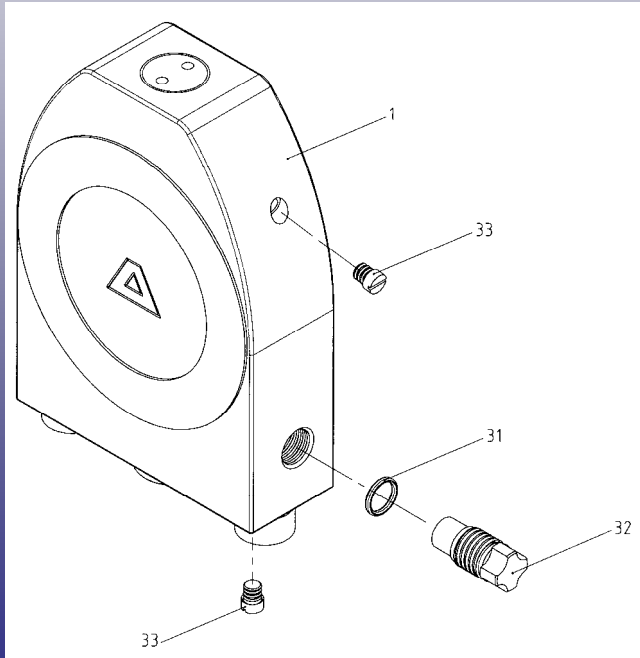
Optional Equipment
Code B

On request!

Draining System

Optional Equipment
Code R 1 / R 2 / R 5

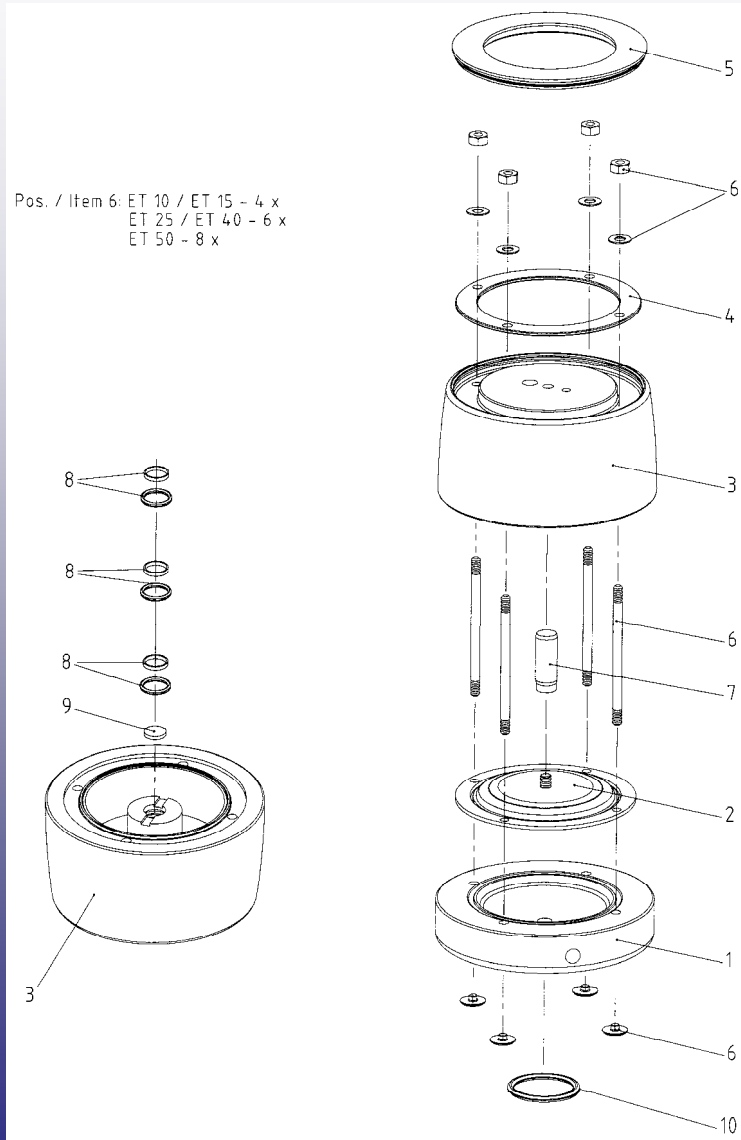
Optional Equipment
Code R 3 / R 4 / R 6



Pulsation Damper ET

Screwed version

Pos. / Item 6: ET 10 / ET 15 - 4 x
ET 25 / ET 40 - 6 x
ET 50 - 8 x



Pulsation Damper ET-F

Flanged version

