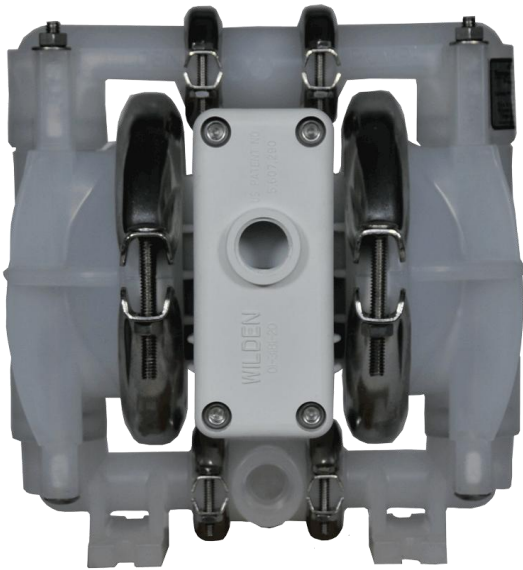


WILDEN PUMP P1

1/2" PLASTIC



MAX FLOW RATE: 56.8 LPM (15 GPM)
MAX PRESSURE: 8.6 BAR (125 PSI)
MAX SUCTION LIFT CAPABILITY:
 6.1 m (20') Dry, 9.5 m (31') Wet
MAX DIAMETER SOLIDS:
 1.6 mm (1/16")

WETTED HOUSINGS

Material	Ship Wt
Polypropylene	4.0 kg (9 lbs)
PVDF	5.0 kg (11 lbs)

NON-WETTED HOUSINGS

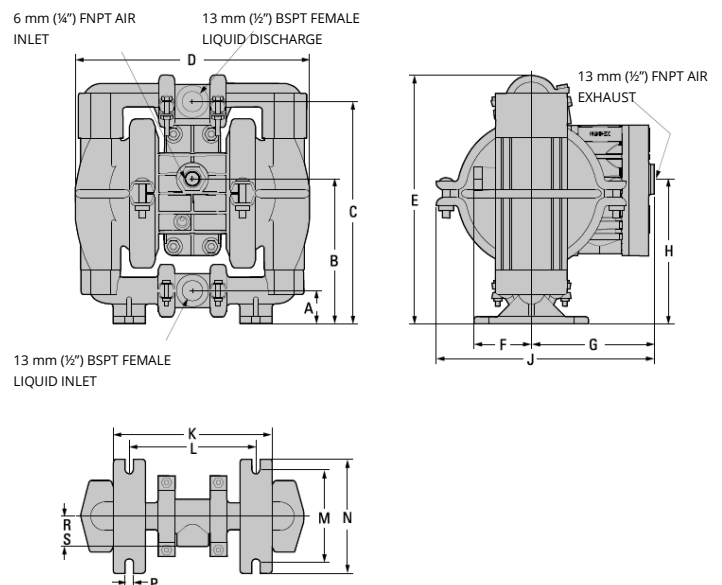
Description	Material
Center Section	Polypropylene
Air Valve	Polypropylene

ELASTOMER OPTIONS

Buna-N®	-12.2 (+10) to +82.2 (+180) °C (F°)
Neoprene	-17.8 (+0) to +93.3 (+200) °C (F°)
EPDM™	-51.1 (-60) to +137.8 (+280) °C (F°)
Polyurethane	-12.2 (+10) to +65.6 (+150) °C (F°)
Saniflex™	-28.9 (+20) to +104.4 (+220) °C (F°)
PTFE	+4.4 (+40) to +104.4 (+220) °C (F°)
Viton®	-40 (-40) to +176.7 (+350) °C (F°)
Wil-Flex™	-40 (-40) to +107.2 (+225) °C (F°)
Geolast®	-40 (-40) to +82 (+180) °C (F°)

DIMENSIONS

ITEM	METRIC (mm)	STANDARD (inch)
A	31	1.2
B	130	5.1
C	196	7.7
D	208	8.2
E	218	8.6
F	56	2.2
G	114	4.5
H	127	5.0
J	203	8.0
K	145	5.7
L	114	4.5
M	84	3.3
N	102	4.0
P	8	0.3
R	20	0.8
S	28	1.1



HOLLAND AIR PUMPS BV

De Scheper 260
 NL 5688 HP OIRSCHOT
 THE NETHERLANDS

PHONE

+31 (0)499 551 000

FAX

+31 (0)499 551 005

VAT

NL8033.13.123.B01

ING-BANK ACC

NL79 INGB 068 29 36 022

ONLINE

WWW.HOLLANDAIRPUMPS.NL
 INFO@HOLLANDAIRPUMPS.NL

CHAMBER OF COMMERCE

ROTTERDAM 24.252.831