

# WILDEN PUMP PS15 SANIFLO FDA



**HOLLAND  
AIR  
PUMPS**  
PRESSURE  
TO PERFORM

## 3" METAL



**MAX FLOW RATE:** 927 LPM (245 GPM)

**MAX PRESSURE:** 8.6 BAR (125 PSI)

**MAX SUCTION LIFT CAPABILITY:**  
6.6 m (21.6') Dry, 8.6 m (28.4') Wet

**MAX DIAMETER SOLIDS:**  
9.5 mm (3/8")

### WETTED HOUSINGS

**Material**                      **Ship Wt**  
316 Stainless Steel              105 kg (230 lbs)

### NON-WETTED HOUSINGS

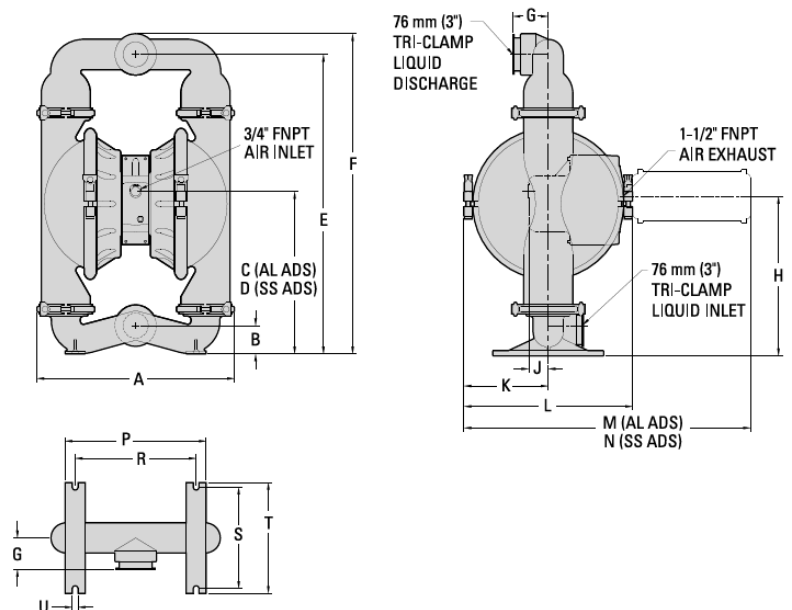
**Description**                      **Material**  
Center Section                      Aluminum, 316 Stainless Steel  
Air Valve                              Aluminum, 316 Stainless Steel

### ELASTOMER OPTIONS

Buna-N®                              -12.2 (+10) to +82.2 (+180) °C (F°)  
EPDM™                                -51.1 (-60) to +137.8 (+280) °C (F°)  
Saniflex™                              -28.9 (+20) to +104.4 (+220) °C (F°)  
PTFE                                    +4.4 (+40) to +104.4 (+220) °C (F°)  
Wil-Flex™                              -40 (-40) to +107.2 (+225) °C (F°)

### DIMENSIONS

ITEM	METRIC (mm)	STANDARD (inch)
A	521	20.5
B	71	2.8
C	409	16.1
D	414	16.3
E	767	30.2
F	810	31.9
G	89	3.5
H	401	15.8
J	48	1.9
K	216	8.5
L	424	16.7
M	722	28.4
N	709	27.9
P	356	14.0
R	305	12.0
S	257	10.1
T	279	11.0
U	15 DIA.	0.6 DIA.



#### HOLLAND AIR PUMPS BV

De Scheper 260  
NL 5688 HP OIRSCHOT  
THE NETHERLANDS

#### PHONE

+31 (0)499 551 000

#### FAX

+31 (0)499 551 005

#### VAT

NL8033.13.123.B01

#### ING-BANK ACC

NL79 INGB 068 29 36 022

#### ONLINE

WWW.HOLLANDAIRPUMPS.NL  
INFO@HOLLANDAIRPUMPS.NL

#### CHAMBER OF COMMERCE

ROTTERDAM 24.252.831