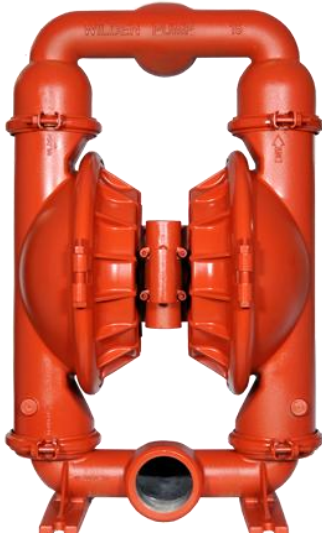


WILDEN PUMP T15

3" METAL



MAX FLOW RATE: 878 LPM (232 GPM)

MAX PRESSURE: 8.6 BAR (125 PSI)

MAX SUCTION LIFT CAPABILITY:

5.5 m (18') Dry, 9.5 m (31') Wet

MAX DIAMETER SOLIDS:

10 mm (3/8")

WETTED HOUSINGS

Material

Aluminum

Cast iron

Ship Wt

53 kg (116 lbs)

91 kg (200 lbs)

NON-WETTED HOUSINGS

Description

Center Section

Air Valve

Material

Aluminum

Brass

ELASTOMER OPTIONS

Buna-N®

Neoprene

EPDM™

Polyurethane

Saniflex™

PTFE

Viton®

Wil-Flex™

Geolast®

-12.2 (+10) to +82.2 (+180) °C (F°)

-17.8 (+0) to +93.3 (+200) °C (F°)

-51.1 (-60) to +137.8 (+280) °C (F°)

-12.2 (+10) to +65.6 (+150) °C (F°)

-28.9 (+20) to +104.4 (+220) °C (F°)

+4.4 (+40) to +104.4 (+220) °C (F°)

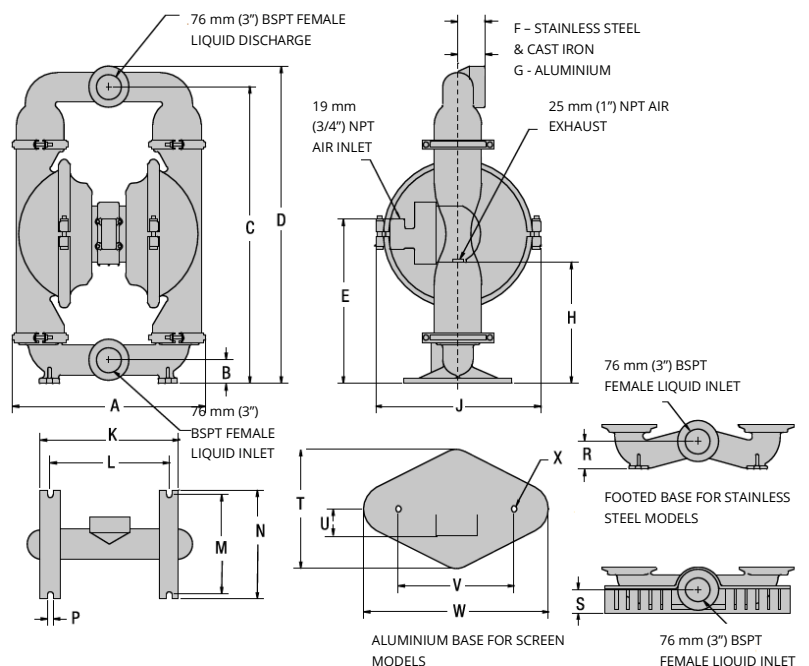
-40 (-40) to +176.7 (+350) °C (F°)

-40 (-40) to +107.2 (+225) °C (F°)

-40 (-40) to +82 (+180) °C (F°)

DIMENSIONS

ITEM	METRIC (mm)	STANDARD (inch)
A	505	19.9
B	58	2.3
C	762	30.0
D	823	32.4
E	419	16.5
F	71	2.8
G	69	2.7
H	312	12.3
J	427	16.8
K	361	14.2
L	305	12.0
M	259	10.2
N	282	11.1
P	15	0.6
R	71	2.8
S	66	2.6
T	305	12.0
U	43	1.7
V	305	12.0
W	478	18.8
X	Ø15	Ø0.6



HOLLAND AIR PUMPS BV

De Scheper 260
NL 5688 HP OIRSCHOT
THE NETHERLANDS

PHONE

+31 (0)499 551 000

FAX

+31 (0)499 551 005

VAT

NL8033.13.123.B01

ING-BANK ACC

NL79 INGB 068 29 36 022

ONLINE

WWW.HOLLANDAIRPUMPS.NL
INFO@HOLLANDAIRPUMPS.NL

CHAMBER OF COMMERCE

ROTTERDAM 24.252.831