

# WILDEN PUMP XPS15

## 3" METAL Stainless Steel



**MAX FLOW RATE:** 927 LPM (245 GPM)  
**MAX PRESSURE:** 8.6 BAR (125 PSI)  
**MAX SUCTION LIFT CAPABILITY:**  
 6.3 m (20.7') Dry, 8.6 m (20.7') Wet  
**MAX DIAMETER SOLIDS:**  
 9.5 mm (3/8")

### WETTED HOUSINGS

Material	Ship Wt
Aluminum	55 kg (121 lbs)
Cast Iron	93 kg (205 lbs)
316 Stainless Steel	105 kg (230 lbs)

### NON-WETTED HOUSINGS

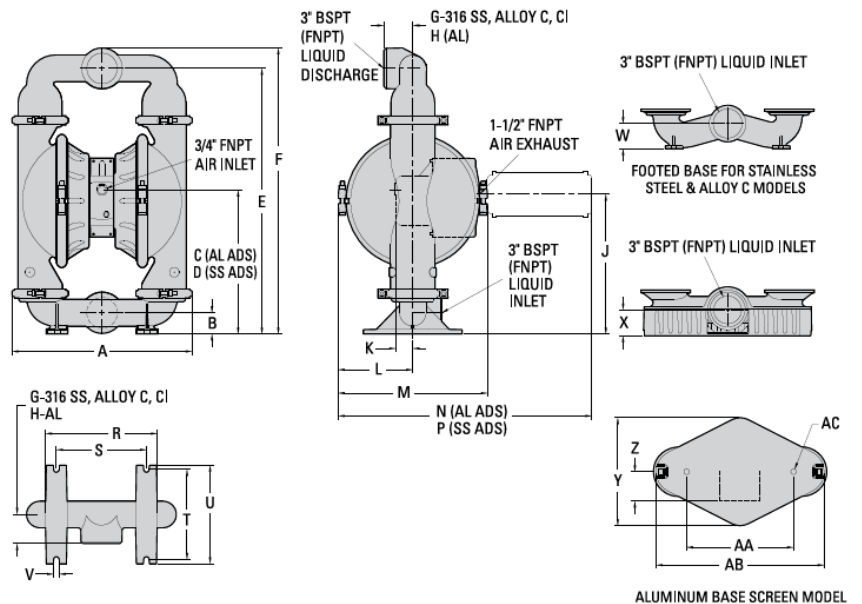
Description	Material
Center Section	Aluminum, 316 Stainless Steel
Air Valve	Aluminum, 316 Stainless Steel

### ELASTOMER OPTIONS

Buna-N®	-12.2 (+10) to +82.2 (+180) °C (F°)
Neoprene	-17.8 (+0) to +93.3 (+200) °C (F°)
EPDM™	-51.1 (-60) to +137.8 (+280) °C (F°)
Polyurethane	-12.2 (+10) to +65.6 (+150) °C (F°)
Saniflex™	-28.9 (+20) to +104.4 (+220) °C (F°)
PTFE	+4.4 (+40) to +104.4 (+220) °C (F°)
Viton®	-40 (-40) to +176.7 (+350) °C (F°)
Wil-Flex™	-40 (-40) to +107.2 (+225) °C (F°)
Geolast®	-40 (-40) to +82 (+180) °C (F°)

### DIMENSIONS

ITEM	METRIC (mm)	STANDARD (inch)
A	514	20.2
B	61	2.4
C	411	16.2
D	416	16.4
E	758	29.8
F	816	32.1
G	70	2.8
H	83	3.3
J	399	15.7
K	49	1.9
L	213	8.4
M	425	16.7
N	722	28.4
P	710	28.0
R	319	12.5
S	307	12.1
T	257	10.1
U	281	11.1
V	16	0.6
W	71	2.8
X	74	2.9
Y	308	12.1
Z	83	3.3
AA	305	12.0
AB	480	18.9
AC	16 DIA.	0.6 DIA



#### HOLLAND AIR PUMPS BV

De Schepers 260  
 NL 5688 HP OIRSCHOT  
 THE NETHERLANDS

#### PHONE

+31 (0)499 551 000

#### FAX

+31 (0)499 551 005

#### VAT

NL8033.13.123.B01

#### ING-BANK ACC

NL79 INGB 068 29 36 022

#### ONLINE

WWW.HOLLANDAIRPUMPS.NL  
 INFO@HOLLANDAIRPUMPS.NL

#### CHAMBER OF COMMERCE

ROTTERDAM 24.252.831