

# WILDEN PUMP XPS8

## 2" METAL Stainless steel



**MAX FLOW RATE:** 723 LPM (191 GPM)  
**MAX PRESSURE:** 8.6 BAR (125 PSI)  
**MAX SUCTION LIFT CAPABILITY:**  
 7.1 m (23.8') Dry, 9.0 m (29.5') Wet  
**MAX DIAMETER SOLIDS:**  
 6.4 mm (1/4")

### DIMENSIONS

ITEM	METRIC (mm)	STANDARD (inch)
A	404	15.9
B	45	1.8
C	358	14.1
D	363	14.3
E	630	24.8
F	668	26.3
G	58	2.3
H	64	2.5
I	346	13.6
K	48	1.9
L	351	13.8
M	339	13.3
N	672	26.4
P	659	26
R	315	12.4
S	257	10.1
T	231	9.1
U	257	10.1
V	15	0.6
W	64	2.5
X	51	2
Y	284	11.2
Z	58	2.3
AA	279	11
AB	396	15.6
AC	15 DIA.	0.6 DIA.

### WETTED HOUSINGS

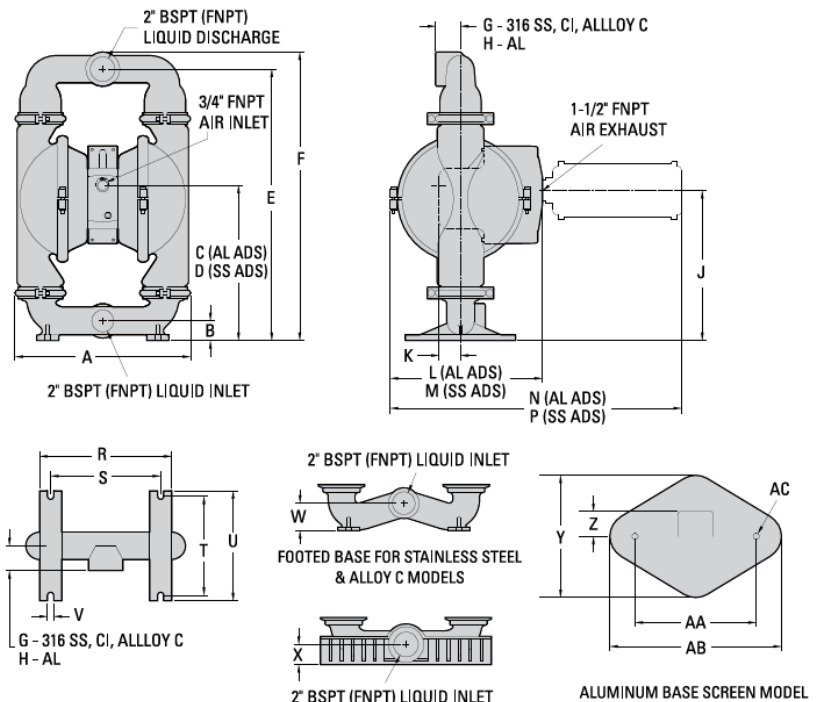
Material	Ship Wt
Aluminum	35 kg (78 lbs)
Cast Iron	49 kg (109 lbs)
316 Stainless Steel	53 kg (117 lbs)

### NON-WETTED HOUSINGS

Description	Material
Center Section	Aluminum, 316 Stainless Steel
Air Valve	Aluminum, 316 Stainless Steel

### ELASTOMER OPTIONS

Buna-N®	-12.2 (+10) to +82.2 (+180) °C (F°)
Neoprene	-17.8 (+0) to +93.3 (+200) °C (F°)
EPDM™	-51.1 (-60) to +137.8 (+280) °C (F°)
Polyurethane	-12.2 (+10) to +65.6 (+150) °C (F°)
Saniflex™	-28.9 (+20) to +104.4 (+220) °C (F°)
PTFE	+4.4 (+40) to +104.4 (+220) °C (F°)
Viton®	-40 (-40) to +176.7 (+350) °C (F°)
Wil-Flex™	-40 (-40) to +107.2 (+225) °C (F°)
Geolast®	-40 (-40) to +82 (+180) °C (F°)



#### HOLLAND AIR PUMPS BV

De Schepers 260  
 NL 5688 HP OIRSCHOT  
 THE NETHERLANDS

#### PHONE

+31 (0)499 551 000

#### FAX

+31 (0)499 551 005

#### VAT

NL8033.13.123.B01

#### ING-BANK ACC

NL79 INGB 068 29 36 022

#### ONLINE

WWW.HOLLANDAIRPUMPS.NL  
 INFO@HOLLANDAIRPUMPS.NL

#### CHAMBER OF COMMERCE

ROTTERDAM 24.252.831