

WILDEN PUMP XPS8

2" METAL



MAX FLOW RATE: 723 LPM (191 GPM)
MAX PRESSURE: 8.6 BAR (125 PSI)
MAX SUCTION LIFT CAPABILITY:
 7.1 m (23.8') Dry, 9.0 m (29.5') Wet
MAX DIAMETER SOLIDS:
 6.4 mm (1/4")

DIMENSIONS

ITEM	METRIC (mm)	STANDARD (inch)
A	404	15.9
B	45	1.8
C	358	14.1
D	363	14.3
E	630	24.8
F	668	26.3
G	58	2.3
H	64	2.5
J	346	13.6
K	48	1.9
L	351	13.8
M	339	13.3
N	672	26.4
P	659	26
R	315	12.4
S	257	10.1
T	231	9.1
U	257	10.1
V	15	0.6
W	64	2.5
X	51	2
Y	284	11.2
Z	58	2.3
AA	279	11
AB	396	15.6
AC	15 DIA.	0.6 DIA.

WETTED HOUSINGS

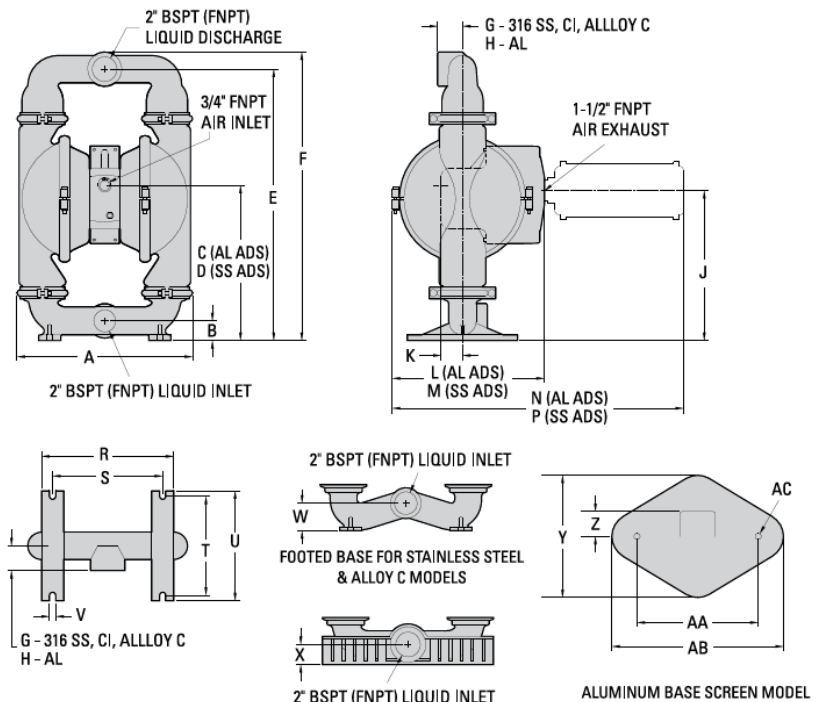
Material	Ship Wt
Aluminum	35 kg (78 lbs)
Cast Iron	49 kg (109 lbs)
316 Stainless Steel	53 kg (117 lbs)

NON-WETTED HOUSINGS

Description	Material
Center Section	Aluminum, 316 Stainless Steel
Air Valve	Aluminum, 316 Stainless Steel

ELASTOMER OPTIONS

Buna-N®	-12.2 (+10) to +82.2 (+180) °C (F°)
Neoprene	-17.8 (+0) to +93.3 (+200) °C (F°)
EPDM™	-51.1 (-60) to +137.8 (+280) °C (F°)
Polyurethane	-12.2 (+10) to +65.6 (+150) °C (F°)
Saniflex™	-28.9 (+20) to +104.4 (+220) °C (F°)
PTFE	+4.4 (+40) to +104.4 (+220) °C (F°)
Viton®	-40 (-40) to +176.7 (+350) °C (F°)
Wil-Flex™	-40 (-40) to +107.2 (+225) °C (F°)
Geolast®	-40 (-40) to +82 (+180) °C (F°)



HOLLAND AIR PUMPS BV

De Schepers 260
 NL 5688 HP OIRSCHOT
 THE NETHERLANDS

PHONE

+31 (0)499 551 000

FAX

+31 (0)499 551 005

VAT

NL8033.13.123.B01

ING-BANK ACC

NL79 INGB 068 29 36 022

ONLINE

WWW.HOLLANDAIRPUMPS.NL
 INFO@HOLLANDAIRPUMPS.NL

CHAMBER OF COMMERCE

ROTTERDAM 24.252.831