

WILDEN PUMP XPS830

2" METAL FIT



MAX FLOW RATE: 704 LPM (186 GPM)
MAX PRESSURE: 8.6 BAR (125 PSI)
MAX SUCTION LIFT CAPABILITY:
 6.4 m (21.8') Dry, 9.0 m (29.5') Wet
MAX DIAMETER SOLIDS:
 6.4 mm (1/4")

WETTED HOUSINGS

Material
 Aluminum

Ship Wt
 54 kg (118 lbs)

NON-WETTED HOUSINGS

Description
 Center Section
 Air Valve

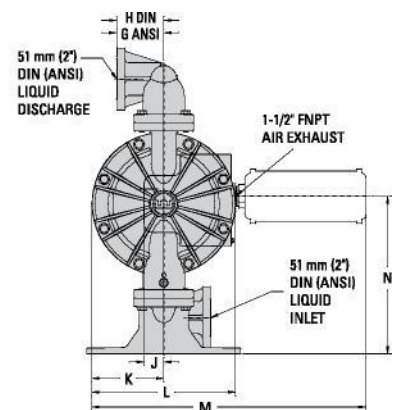
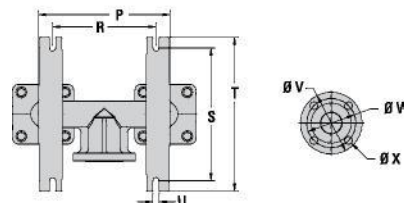
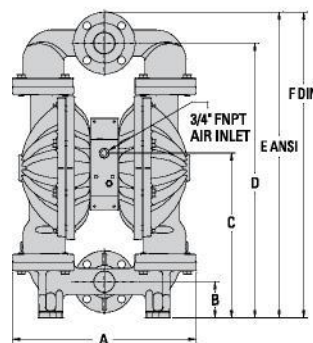
Material
 Aluminum
 Aluminum

ELASTOMER OPTIONS

Buna-N® -12.2 (+10) to +82.2 (+180) °C (F°)
 Neoprene -17.8 (+0) to +93.3 (+200) °C (F°)
 EPDM™ -51.1 (-60) to +137.8 (+280) °C (F°)
 Polyurethane -12.2 (+10) to +65.6 (+150) °C (F°)
 Saniflex™ -28.9 (+20) to +104.4 (+220) °C (F°)
 PTFE +4.4 (+40) to +104.4 (+220) °C (F°)
 Viton® -40 (-40) to +176.7 (+350) °C (F°)
 Wil-Flex™ -40 (-40) to +107.2 (+225) °C (F°)
 Geolast® -40 (-40) to +82 (+180) °C (F°)

DIMENSIONS

| ITEM | METRIC (mm) | STANDARD (Inch) |
|------|-----------------|--------------------|
| A | 452 | 17.8 |
| B | 89 | 3.5 |
| C | 405 | 16.0 |
| D | 675 | 26.6 |
| E | 752 | 29.6 |
| F | 758 | 29.8 |
| G | 116 | 4.6 |
| H | 117 | 4.6 |
| J | 48 | 1.9 |
| K | 177 | 7.0 |
| L | 354 | 13.9 |
| M | 675 | 26.6 |
| N | 387 | 15.3 |
| P | 324 | 12.8 |
| R | 254 | 10.0 |
| S | 326 | 12.8 |
| T | 378 | 14.9 |
| U | 16 | 0.6 |
| | DIN (mm) | ANSI (Inch) |
| V | 165 DIA | 6.0 DIA |
| W | 125 DIA | 4.8 DIA |
| X | 18 DIA | 0.8 DIA |



HOLLAND AIR PUMPS BV

De Schepers 260
 NL 5688 HP OIRSCHOT
 THE NETHERLANDS

PHONE

+31 (0)499 551 000

FAX

+31 (0)499 551 005

VAT

NL8033.13.123.B01

ING-BANK ACC

NL79 INGB 068 29 36 022

ONLINE

WWW.HOLLANDAIRPUMPS.NL
 INFO@HOLLANDAIRPUMPS.NL

CHAMBER OF COMMERCE

ROTTERDAM 24.252.831