

WILDEN PUMP P.025

1/4" PLASTIC



MAX FLOW RATE: 18.1 LPM (4.8 GPM)

MAX PRESSURE: 8.6 BAR (125 PSI)

MAX SUCTION LIFT CAPABILITY:

3.05 m (10.0') Dry, 8.84 m (28') Wet

MAX DIAMETER SOLIDS:

0.4 mm (1/64")

WETTED HOUSINGS

| | |
|-----------------|----------------|
| Material | Ship Wt |
| Polypropylene | 1.4 kg (3 lbs) |
| PVDF | 1.4 kg (3 lbs) |

NON-WETTED HOUSINGS

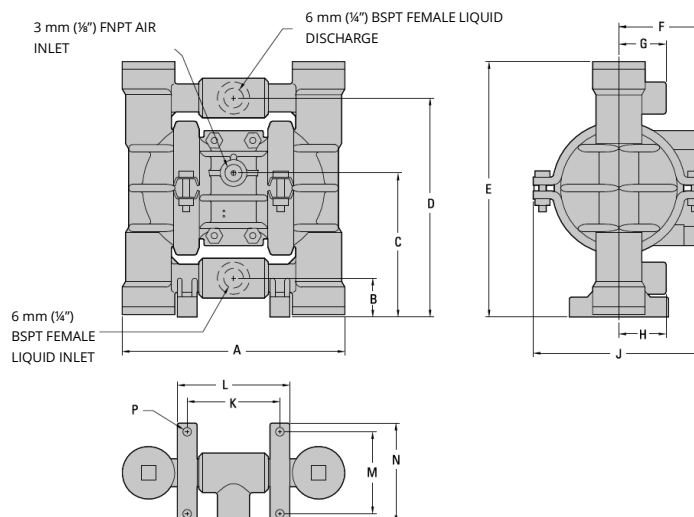
| | |
|--------------------|-----------------|
| Description | Material |
| Center Section | Polypropylene |
| Air Valve | Polypropylene |

ELASTOMER OPTIONS

| | |
|--------------|--------------------------------------|
| Buna-N® | -12.2 (+10) to +82.2 (+180) °C (F°) |
| Neoprene | -17.8 (+0) to +93.3 (+200) °C (F°) |
| EPDM™ | -51.1 (-60) to +137.8 (+280) °C (F°) |
| Polyurethane | -12.2 (+10) to +65.6 (+150) °C (F°) |
| Saniflex™ | -28.9 (+20) to +104.4 (+220) °C (F°) |
| PTFE | +4.4 (+40) to +104.4 (+220) °C (F°) |
| Viton® | -40 (-40) to +176.7 (+350) °C (F°) |
| Wil-Flex™ | -40 (-40) to +107.2 (+225) °C (F°) |
| Geolast® | -40 (-40) to +82 (+180) °C (F°) |

DIMENSIONS

| ITEM | METRIC (mm) | STANDARD (inch) |
|------|-------------|-----------------|
| A | 145 | 5.7 |
| B | 25 | 1.0 |
| C | 94 | 3.7 |
| D | 140 | 5.5 |
| E | 163 | 6.4 |
| F | 56 | 2.2 |
| G | 30 | 1.2 |
| H | 30 | 1.2 |
| J | 114 | 4.5 |
| K | 61 | 2.4 |
| L | 74 | 2.9 |
| M | 53 | 2.1 |
| N | 64 | 2.5 |
| P | Ø5 | Ø.2 |



HOLLAND AIR PUMPS BV

De Schepers 260
NL 5688 HP OIRSCHOT
THE NETHERLANDS

PHONE

+31 (0)499 551 000

FAX

+31 (0)499 551 005

VAT

NL8033.13.123.B01

ING-BANK ACC

NL79 INGB 068 29 36 022

ONLINE

WWW.HOLLANDAIRPUMPS.NL
INFO@HOLLANDAIRPUMPS.NL

CHAMBER OF COMMERCE

ROTTERDAM 24.252.831