

WILDEN PUMP PS15 Saniflo Hygienic 3" METAL



MAX FLOW RATE: 844 LPM (223 GPM)
MAX PRESSURE: 8.6 BAR (125 PSI)
MAX SUCTION LIFT CAPABILITY:
 4.4 m (14.5') Dry, 9.0 m (29.5') Wet
MAX DIAMETER SOLIDS:
 60.3 mm (2 3/8")

DIMENSIONS

ITEM	METRIC (mm)	STANDARD (inch)
A	598	23.5
B	187	7.4
C	694	27.3
D	701	27.6
E	1141	44.9
F	1194	47.0
G	73	2.9
H	683	26.9
J	386	15.2
K	374	14.7
L	586	23.1
M	573	22.6
N	46	1.8
P	400	15.8
R	349	13.8
S	318	12.5
T	356	14.0
U	ø10	ø0.4

WETTED HOUSINGS

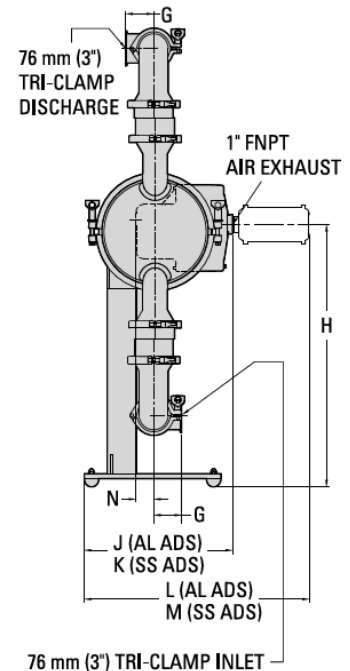
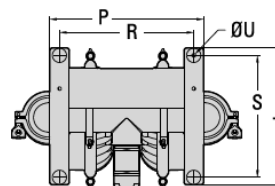
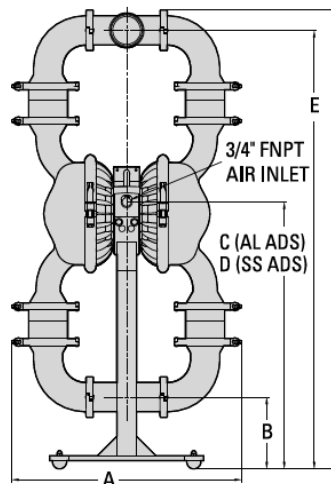
Material 316 Stainless Steel
Ship Wt 98 kg (216 lbs)

NON-WETTED HOUSINGS

Description Center Section
Material Nickel Plated Aluminum, 316 SS
 Air Valve Nickel Plated Aluminum, 316 SS

ELASTOMER OPTIONS

Sanitary Buna-N® -12.2 (+10) to +82.2 (+180) °C (F°)
 Saniflex™ -28.9 (+20) to +104.4 (+220) °C (F°)
 PTFE +4.4 (+40) to +104.4 (+220) °C (F°)
 Wil-Flex™ -40 (-40) to +107.2 (+225) °C (F°)



HOLLAND AIR PUMPS BV

De Scheper 260
 NL 5688 HP OIRSCHOT
 THE NETHERLANDS

PHONE

+31 (0)499 551 000

FAX

+31 (0)499 551 005

VAT

NL8033.13.123.B01

ING-BANK ACC

NL79 INGB 068 29 36 022

ONLINE

WWW.HOLLANDAIRPUMPS.NL
 INFO@HOLLANDAIRPUMPS.NL

CHAMBER OF COMMERCE

ROTTERDAM 24.252.831