

# WILDEN PUMP H220

## 1" METAL HIGH PRESSURE



**MAX FLOW RATE:** 93.9 LPM (45 GPM)  
**MAX PRESSURE:** 7 BAR (102 PSI)  
**MAX SUCTION LIFT CAPABILITY:**  
 2.77 m (9.1') Dry, 9 m (29.5') Wet  
**MAX DIAMETER SOLIDS:**  
 6.4 mm (1/4")

### WETTED HOUSINGS

Material	Ship Wt
Ductile iron	38 kg (84 lbs)
316 Stainless Steel	37 kg (81 lbs)

### NON-WETTED HOUSINGS

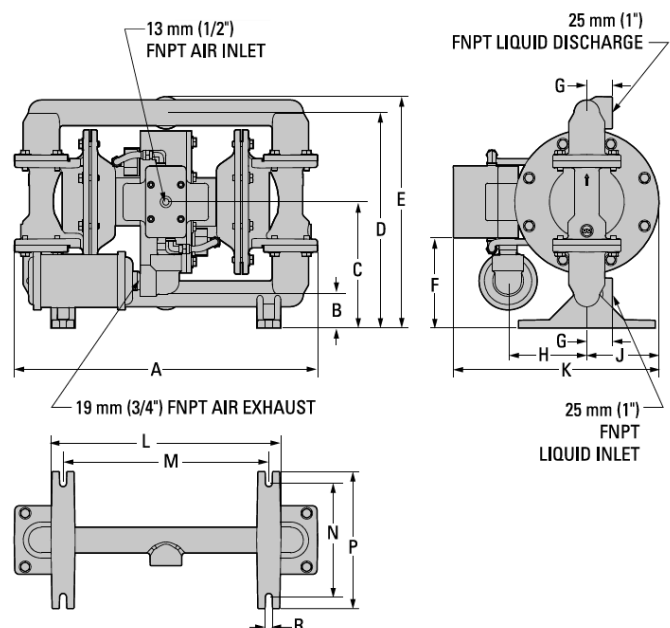
Description	Material
Center Section	Aluminum
Air Valve	Aluminum

### ELASTOMER OPTIONS

Full stroke PTFE	+4.4 (+40) to +104.4 (+220) °C (F°)
Sanitary Wil-Flex™	-40 (-40) to +107.2 (+225) °C (F°)

### DIMENSIONS

ITEM	METRIC (mm)	STANDARD (inch)
A	450	17.7
B	51	2.0
C	188	7.4
D	320	12.6
E	343	13.5
F	135	5.3
G	38	1.5
H	114	4.5
J	107	4.2
K	305	12.0
L	340	13.4
M	295	11.6
N	168	6.6
P	203	8.0
R	10	0.4



#### HOLLAND AIR PUMPS BV

De Scheper 260  
 NL 5688 HP OIRSCHOT  
 THE NETHERLANDS

#### PHONE

+31 (0)499 551 000

#### FAX

+31 (0)499 551 005

#### VAT

NL8033.13.123.B01

#### ING-BANK ACC

NL79 INGB 068 29 36 022

#### ONLINE

WWW.HOLLANDAIRPUMPS.NL  
 INFO@HOLLANDAIRPUMPS.NL

#### CHAMBER OF COMMERCE

ROTTERDAM 24.252.831