

WILDEN PUMP H800

2" METAL HIGH PRESSURE



WETTED HOUSINGS

Material	Ship Wt
Ductile iron	128 kg (283 lbs)
316 Stainless Steel	128 kg (283 lbs)

NON-WETTED HOUSINGS

Description	Material
Center Section	Aluminum
Air Valve	Aluminum

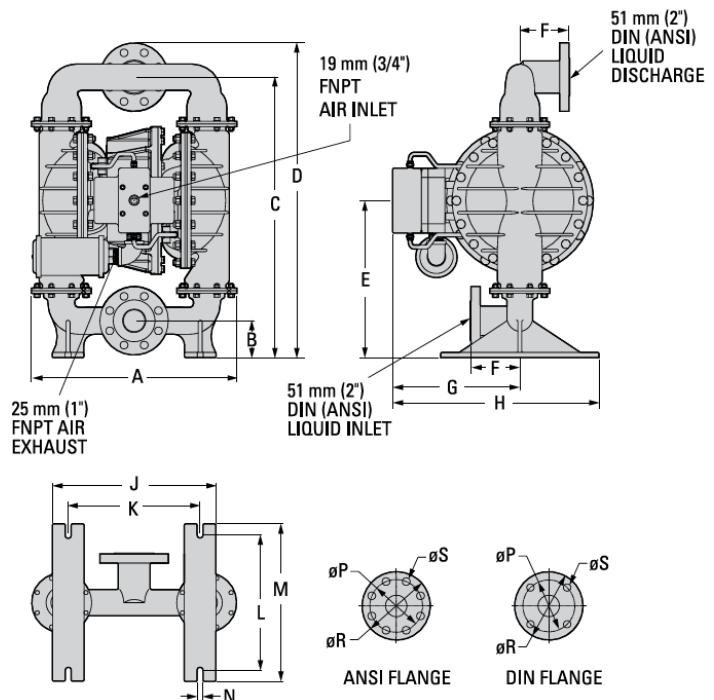
ELASTOMER OPTIONS

Full stroke PTFE	+4.4 (+40) to +104.4 (+220) °C (F°)
Sanitary Wil-Flex™	-40 (-40) to +107.2 (+225) °C (F°)

MAX FLOW RATE: 360 LPM (95 GPM)
MAX INLET PRESSURE: 5.9 BAR (85.57 PSI)
MAX OPERATING PRESSURE: 17.2 BAR (249.46 PSI)
MAX SUCTION LIFT CAPABILITY:
 3.7 m (12') Dry, 9 m (29.5') Wet
MAX DIAMETER SOLIDS:
 12.7 mm (1/2")

DIMENSIONS

ITEM	Metric (mm)	Standard (inch)
A	490	19.3
B	89	3.5
C	677	26.7
D	760	29.9
E	378	14.9
F	120	4.7
G	307	12.1
H	498	19.6
J	394	15.5
K	318	12.5
L	325	12.8
M	379	14.9
N	14	0.6
DIN FLANGE		
P	125 DIA.	4.9 DIA.
R	165 DIA.	6.5 DIA.
S	18 DIA.	0.7 DIA.
ANSI FLANGE		
P	125 DIA.	5.0 DIA.
R	165 DIA.	6.5 DIA.
S	19 DIA.	0.8 DIA.



HOLLAND AIR PUMPS BV

De Scheper 260
 NL 5688 HP OIRSCHOT
 THE NETHERLANDS

PHONE

+31 (0)499 551 000

FAX

+31 (0)499 551 005

VAT

NL8033.13.123.B01

ING-BANK ACC

NL79 INGB 068 29 36 022

ONLINE

WWW.HOLLANDAIRPUMPS.NL
 INFO@HOLLANDAIRPUMPS.NL

CHAMBER OF COMMERCE

ROTTERDAM 24.252.831