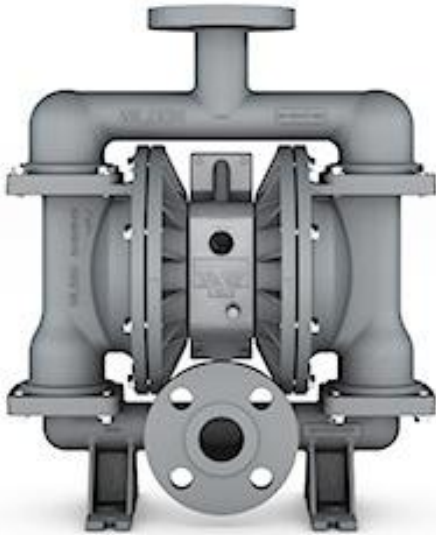


# WILDEN PUMP HS430S

## 1½" METAL FIT HIGH PRESSURE



**MAX FLOW RATE:** 242 LPM (64 GPM)

**MAX PRESSURE:** 8.6 BAR (125 PSI)

**MAX SUCTION LIFT CAPABILITY:**

2 m (6.8') Dry, 9 m (29.5') Wet

**MAX DIAMETER SOLIDS:**

6.4 mm (1/4")

### WETTED HOUSINGS

**Material**

Stainless Steel

**Ship Wt**

55 kg (121 lbs)

### NON-WETTED HOUSINGS

**Description**

Center Section

Air Valve

**Material**

Aluminum, Stainless steel

Aluminum, Stainless steel

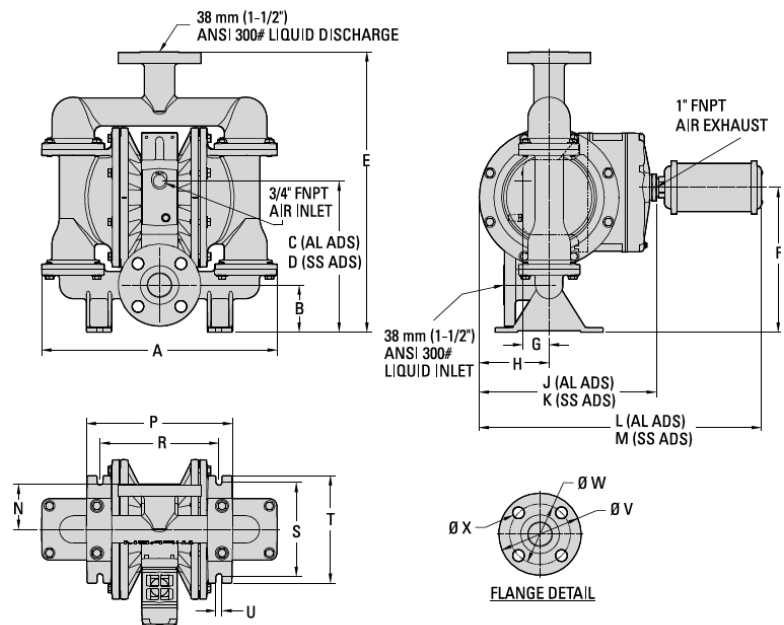
### ELASTOMER OPTIONS

Sanitary Wil-Flex™

-40 (-40) to +107.2 (+225) °C (F°)

### DIMENSIONS

ITEM	METRIC (mm)	STANDARD (inch)
A	443	17.5
B	89	3.5
C	285	11.2
D	292	11.5
E	529	20.8
F	273	10.8
G	50	2.0
H	132	5.2
J	334	13.1
K	321	12.7
L	531	20.9
M	519	20.4
N	86	3.4
P	276	10.9
R	224	8.8
S	178	7.0
T	203	8.0
U	11	0.4
	<b>DIN DN 40</b>	<b>ANSI 300#</b>
V	150 DIA.	6.1 DIA.
W	109 DIA.	4.5 DIA.
X	18 DIA.	0.9 DIA.



**HOLLAND AIR PUMPS BV**

De Scheper 260  
NL 5688 HP OIRSCHOT  
THE NETHERLANDS

**PHONE**

+31 (0)499 551 000

**FAX**

+31 (0)499 551 005

**VAT**

NL8033.13.123.B01

**ING-BANK ACC**

NL79 INGB 068 29 36 022

**ONLINE**

WWW.HOLLANDAIRPUMPS.NL  
INFO@HOLLANDAIRPUMPS.NL

**CHAMBER OF COMMERCE**

ROTTERDAM 24.252.831