

WILDEN PUMP P100

1/2" PLASTIC



MAX FLOW RATE: 56 LPM (14.8 GPM)

MAX PRESSURE: 8.6 BAR (125 PSI)

MAX SUCTION LIFT CAPABILITY:
5.5 m (17.0') Dry, 9.3 m (30.6') Wet

MAX DIAMETER SOLIDS:
1.6 mm (1/16")

WETTED HOUSINGS

| | |
|-----------------|----------------|
| Material | Ship Wt |
| Polypropylene | 4 kg (8 lbs) |
| PVDF | 5 kg (10 lbs) |

NON-WETTED HOUSINGS

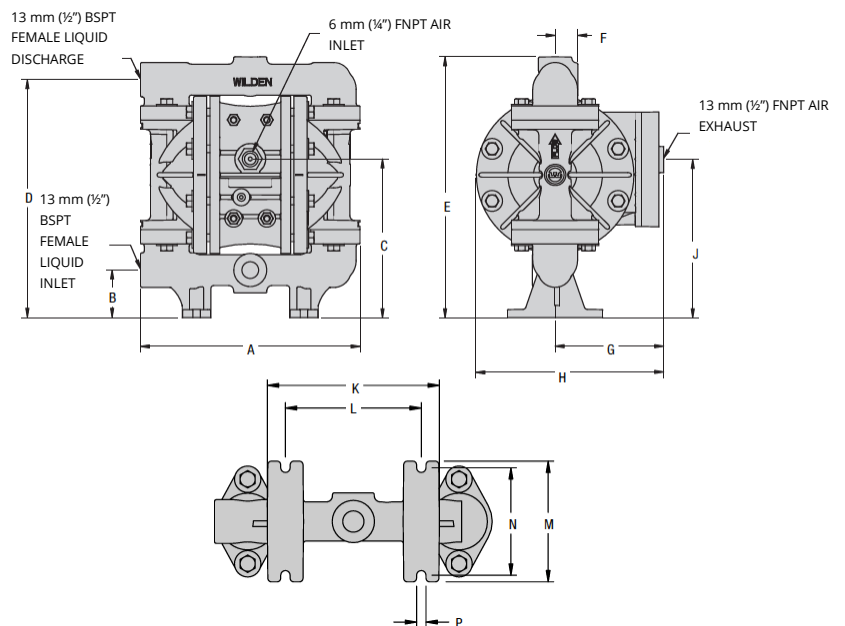
| | |
|--------------------|-----------------|
| Description | Material |
| Center Section | Polypropylene |
| Air Chambers | Polypropylene |
| Air Valve | Polypropylene |

ELASTOMER OPTIONS

| | |
|--------------|--------------------------------------|
| Buna-N® | -12.2 (+10) to +82.2 (+180) °C (F°) |
| Neoprene | -17.8 (+0) to +93.3 (+200) °C (F°) |
| EPDM™ | -51.1 (-60) to +137.8 (+280) °C (F°) |
| Polyurethane | -12.2 (+10) to +65.6 (+150) °C (F°) |
| Saniflex™ | -28.9 (+20) to +104.4 (+220) °C (F°) |
| PTFE | +4.4 (+40) to +104.4 (+220) °C (F°) |
| Viton® | -40 (-40) to +176.7 (+350) °C (F°) |
| Wil-Flex™ | -40 (-40) to +107.2 (+225) °C (F°) |
| Geolast® | -40 (-40) to +82 (+180) °C (F°) |

DIMENSIONS

| ITEM | MM | INCH |
|------|-----|------|
| A | 234 | 9.2 |
| B | 51 | 2.0 |
| C | 170 | 6.7 |
| D | 254 | 10.0 |
| E | 277 | 10.9 |
| F | 25 | 1.0 |
| G | 114 | 4.5 |
| H | 201 | 7.9 |
| J | 170 | 6.7 |
| K | 145 | 5.7 |
| L | 114 | 4.5 |
| M | 102 | 4.0 |
| N | 91 | 3.6 |
| P | 8 | 0.3 |



HOLLAND AIR PUMPS BV

De Schepers 260
NL 5688 HP OIRSCHOT
THE NETHERLANDS

PHONE

+31 (0)499 551 000

FAX

+31 (0)499 551 005

VAT

NL8033.13.123.B01

ING-BANK ACC

NL79 INGB 068 29 36 022

ONLINE

WWW.HOLLANDAIRPUMPS.NL
INFO@HOLLANDAIRPUMPS.NL

CHAMBER OF COMMERCE

ROTTERDAM 24.252.831