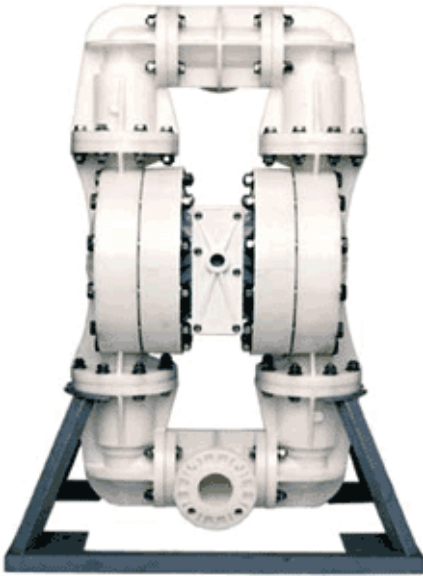


WILDEN PUMP P1500

3" PLASTIC



MAX FLOW RATE: 878 LPM (232 GPM)
MAX PRESSURE: 8.6 BAR (125 PSI)
MAX SUCTION LIFT CAPABILITY:
 5.5 m (17.0') Dry, 8.6 m (28.4') Wet
MAX DIAMETER SOLIDS:
 12.7 mm (1/2")

WETTED HOUSINGS

Material	Ship Wt
Polypropylene	138 kg (305 lbs)
PVDF	161 kg (356 lbs)

NON-WETTED HOUSINGS

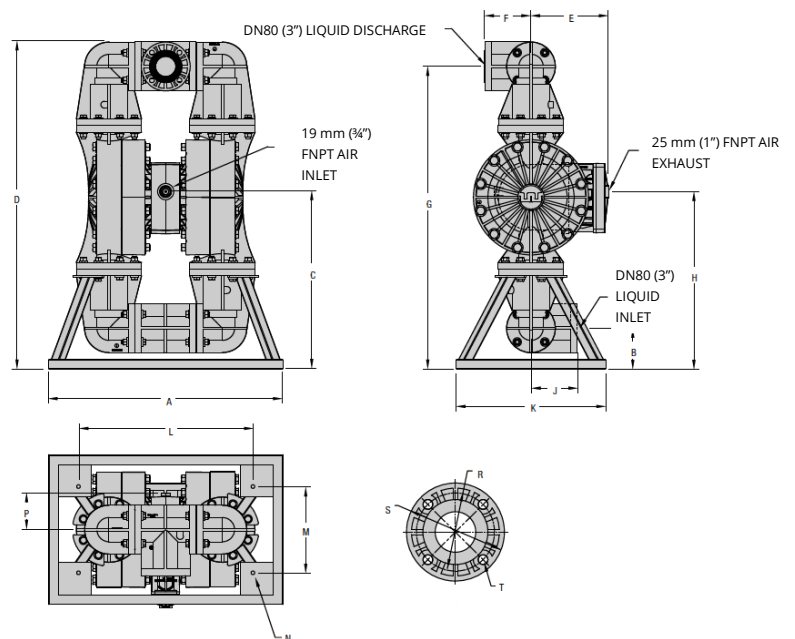
Description	Material
Center Section	Polypropylene
Air Chambers	Polypropylene
Air Valve	Polypropylene

ELASTOMER OPTIONS

Buna-N®	-12.2 (+10) to +82.2 (+180) °C (F°)
Neoprene	-17.8 (+0) to +93.3 (+200) °C (F°)
EPDM™	-51.1 (-60) to +137.8 (+280) °C (F°)
Polyurethane	-12.2 (+10) to +65.6 (+150) °C (F°)
Saniflex™	-28.9 (+20) to +104.4 (+220) °C (F°)
PTFE	+4.4 (+40) to +104.4 (+220) °C (F°)
Viton®	-40 (-40) to +176.7 (+350) °C (F°)
Wil-Flex™	-40 (-40) to +107.2 (+225) °C (F°)
Geolast®	-40 (-40) to +82 (+180) °C (F°)

DIMENSIONS

ITEM	MM	INCH
A	914	36.0
B	160	6.3
C	691	27.2
D	1279	50.4
E	303	11.9
F	181	7.1
G	12	46.5
H	693	27.3
J	181	7.1
K	584	23.0
L	681	26.8
M	336	13.2
N	14 DIA.	0.6 DIA.
P	149	5.9
DIN FLANGE		
R	160 DIA.	6.3 DIA.
S	200 DIA.	7.8 DIA.
T	18 DIA.	0.7 DIA.



HOLLAND AIR PUMPS BV

De Scheper 260
 NL 5688 HP OIRSCHOT
 THE NETHERLANDS

PHONE

+31 (0)499 551 000

FAX

+31 (0)499 551 005

VAT

NL8033.13.123.B01

ING-BANK ACC

NL79 INGB 068 29 36 022

ONLINE

WWW.HOLLANDAIRPUMPS.NL
 INFO@HOLLANDAIRPUMPS.NL

CHAMBER OF COMMERCE

ROTTERDAM 24.252.831