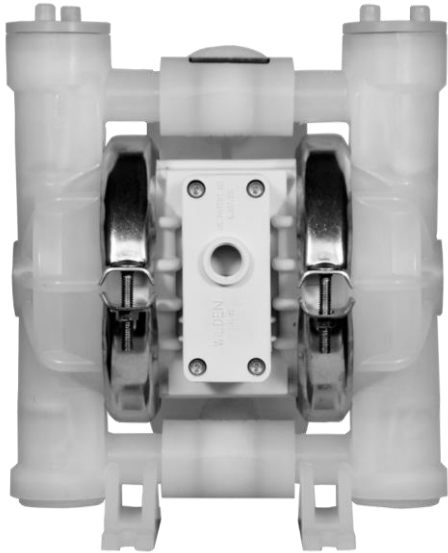


WILDEN PUMP P2

1" PLASTIC



MAX FLOW RATE: 140 LPM (37 GPM)

MAX PRESSURE: 8.6 BAR (125 PSI)

MAX SUCTION LIFT CAPABILITY:

5.5 m (18') Dry, 8.8 m (29') Wet

MAX DIAMETER SOLIDS:

3.18 mm (1/8")

WETTED HOUSINGS

Material

Polypropylene

PVDF

Ship Wt

8.0 kg (18 lbs)

10.0 kg (23 lbs)

NON-WETTED HOUSINGS

Description

Center Section

Air Valve

Material

Polypropylene

Polypropylene

ELASTOMER OPTIONS

Buna-N®

Neoprene

EPDM™

Polyurethane

Saniflex™

PTFE

Viton®

Wil-Flex™

Geolast®

-12.2 (+10) to +82.2 (+180) °C (F°)

-17.8 (+0) to +93.3 (+200) °C (F°)

-51.1 (-60) to +137.8 (+280) °C (F°)

-12.2 (+10) to +65.6 (+150) °C (F°)

-28.9 (+20) to +104.4 (+220) °C (F°)

+4.4 (+40) to +104.4 (+220) °C (F°)

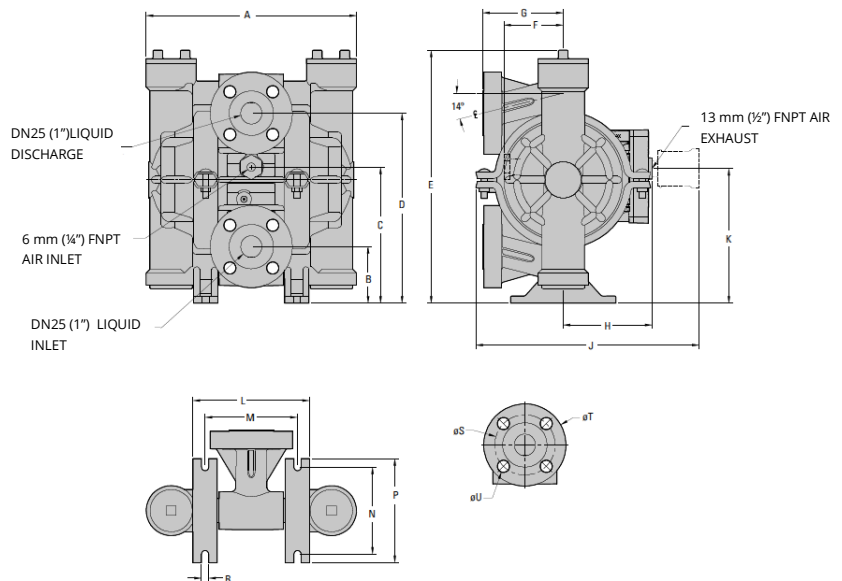
-40 (-40) to +176.7 (+350) °C (F°)

-40 (-40) to +107.2 (+225) °C (F°)

-40 (-40) to +82 (+180) °C (F°)

DIMENSIONS

ITEM	METRIC (mm)	STANDARD (Inch)
A	277	10.9
B	76	3.0
C	180	7.1
D	249	9.8
E	333	13.1
F	81	3.2
G	107	4.2
H	124	4.9
J	292	11.5
K	180	7.1
L	152	6.0
M	122	4.8
N	114	4.5
P	137	5.4
R	10	0.4
DIN		
S	84 DIA	3.3 DIA
T	114 DIA	4.5 DIA
U	15 DIA	.6 DIA
ANSI		
S	79 DIA	3.1 DIA
T	109 DIA	4.3 DIA
U	15 DIA	.6 DIA



HOLLAND AIR PUMPS BV

De Schepers 260
NL 5688 HP OIRSCHOT
THE NETHERLANDS

PHONE

+31 (0)499 551 000

FAX

+31 (0)499 551 005

VAT

NL8033.13.123.B01

ING-BANK ACC

NL79 INGB 068 29 36 022

ONLINE

WWW.HOLLANDAIRPUMPS.NL
INFO@HOLLANDAIRPUMPS.NL

CHAMBER OF COMMERCE

ROTTERDAM 24.252.831