

# WILDEN PUMP XPS1 SANIFLO FDA



## 1/2" METAL



**MAX FLOW RATE:** 60 LPM (15.9 GPM)  
**MAX PRESSURE:** 8.6 BAR (125 PSI)  
**MAX SUCTION LIFT CAPABILITY:**  
 5.9 m (19.3') Dry, 9.8 m (32.3') Wet  
**MAX DIAMETER SOLIDS:**  
 1.6 mm (1/16")

### WETTED HOUSINGS

**Material**  
 316 Stainless Steel

**Ship Wt**  
 9 kg (20 lbs)

### NON-WETTED HOUSINGS

**Description**  
 Center Section  
 Air Valve

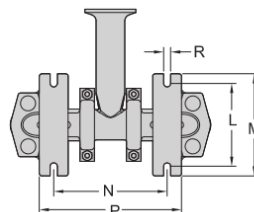
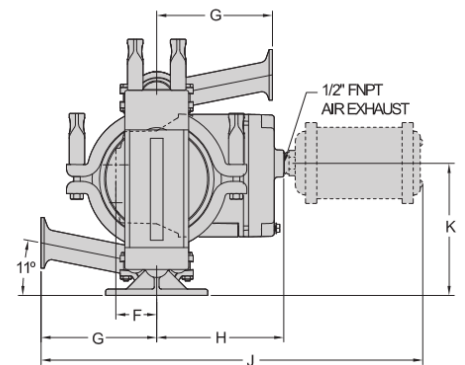
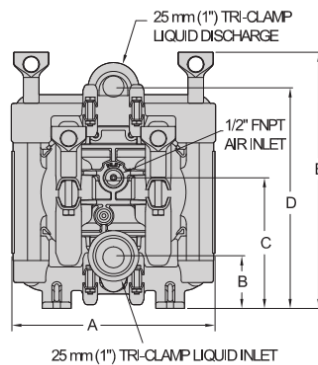
**Material**  
 Aluminum  
 Aluminum

### ELASTOMER OPTIONS

Buna-N® -12.2 (+10) to +82.2 (+180) °C (F°)  
 EPDM™ -51.1 (-60) to +137.8 (+280) °C (F°)  
 Saniflex™ -28.9 (+20) to +104.4 (+220) °C (F°)  
 PTFE +4.4 (+40) to +104.4 (+220) °C (F°)  
 Wil-Flex™ -40 (-40) to +107.2 (+225) °C (F°)

### DIMENSIONS

| ITEM | METRIC (mm) | STANDARD (inch) |
|------|-------------|-----------------|
| A    | 203         | 8.0             |
| B    | 53          | 2.1             |
| C    | 130         | 5.1             |
| D    | 218         | 8.6             |
| E    | 257         | 10.1            |
| F    | 41          | 1.6             |
| G    | 114         | 4.5             |
| H    | 126         | 5.0             |
| J    | 380         | 15.0            |
| K    | 131         | 5.2             |
| L    | 84          | 3.3             |
| M    | 102         | 4.0             |
| N    | 112         | 4.4             |
| P    | 142         | 5.6             |
| R    | 8           | 0.3             |



#### HOLLAND AIR PUMPS BV

De Scheper 260  
 NL 5688 HP OIRSCHOT  
 THE NETHERLANDS

#### PHONE

+31 (0)499 551 000

#### FAX

+31 (0)499 551 005

#### VAT

NL8033.13.123.B01

#### ING-BANK ACC

NL79 INGB 068 29 36 022

#### ONLINE

WWW.HOLLANDAIRPUMPS.NL  
 INFO@HOLLANDAIRPUMPS.NL

#### CHAMBER OF COMMERCE

ROTTERDAM 24.252.831