

WILDEN PUMP PS2 Saniflo Hygienic 1" METAL



MAX FLOW RATE: 121 LPM (32 GPM)

MAX PRESSURE: 8.6 BAR (125 PSI)

MAX SUCTION LIFT CAPABILITY:

3.9 m (13') Dry, 7.6 m (25') Wet

MAX DIAMETER SOLIDS:

6.4 mm (¼")

WETTED HOUSINGS

Material

316 Stainless Steel

Ship Wt

40 kg (80 lbs)

NON-WETTED HOUSINGS

Description

Center Section

Air Valve

Material

Nickel Plated Aluminum, 316 SS

Nickel Plated Aluminum, 316 SS

ELASTOMER OPTIONS

Sanitary Buna-N®

-12.2 (+10) to +82.2 (+180) °C (F°)

Saniflex™

-28.9 (+20) to +104.4 (+220) °C (F°)

PTFE

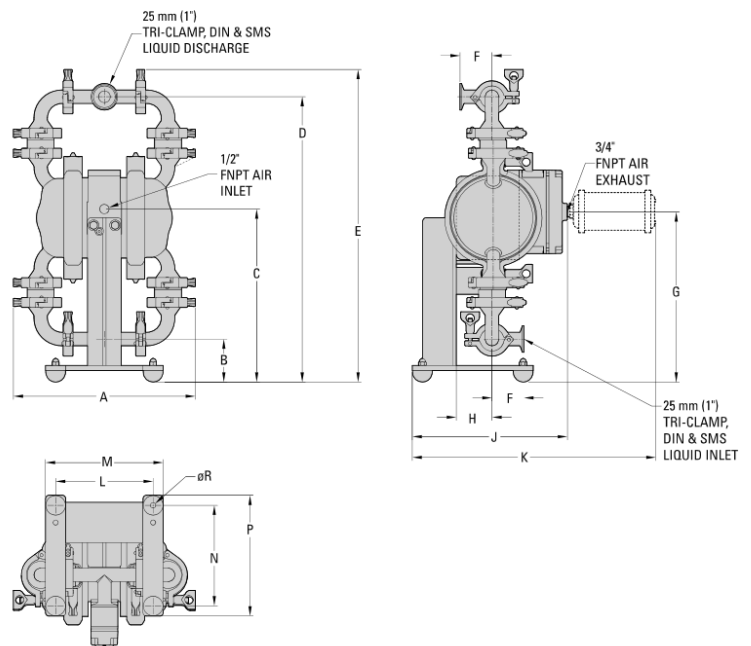
+4.4 (+40) to +104.4 (+220) °C (F°)

Wil-Flex™

-40 (-40) to +107.2 (+225) °C (F°)

DIMENSIONS

ITEM	METRIC (mm)	STANDARD (inch)
A	343	13.5
B	81	3.2
C	327	12.9
D	540	21.3
E	591	23.3
F	61	2.4
G	322	12.7
H	69	2.7
J	292	11.5
K	460	18.1
L	185	7.3
M	224	8.8
N	191	7.5
P	229	9.0
R	ø10	ø0.4



HOLLAND AIR PUMPS BV

De Scheper 260
NL 5688 HP OIRSCHOT
THE NETHERLANDS

PHONE

+31 (0)499 551 000

FAX

+31 (0)499 551 005

VAT

NL8033.13.123.B01

ING-BANK ACC

NL79 INGB 068 29 36 022

ONLINE

WWW.HOLLANDAIRPUMPS.NL
INFO@HOLLANDAIRPUMPS.NL

CHAMBER OF COMMERCE

ROTTERDAM 24.252.831