

# WILDEN PUMP PS8 Saniflo Hygienic 2" METAL



**MAX FLOW RATE:** 575 LPM (152 GPM)  
**MAX PRESSURE:** 8.6 BAR (125 PSI)  
**MAX SUCTION LIFT CAPABILITY:**  
 4.1 m (13.6') Dry, 9.0 m (29.5') Wet  
**MAX DIAMETER SOLIDS:**  
 12.7 mm (½")

## DIMENSIONS

ITEM	METRIC (mm)	STANDARD (inch)
A	460	18.1
B	220	8.6
C	595	23.4
D	602	23.7
E	910	35.8
F	962	37.9
G	51	2.0
H	52	2.1
J	386	15.2
K	374	14.7
L	586	23.1
M	573	22.6
N	584	23.0
P	400	15.8
R	349	13.8
S	318	12.5
T	356	14.0
U	ø10	ø0.4

## WETTED HOUSINGS

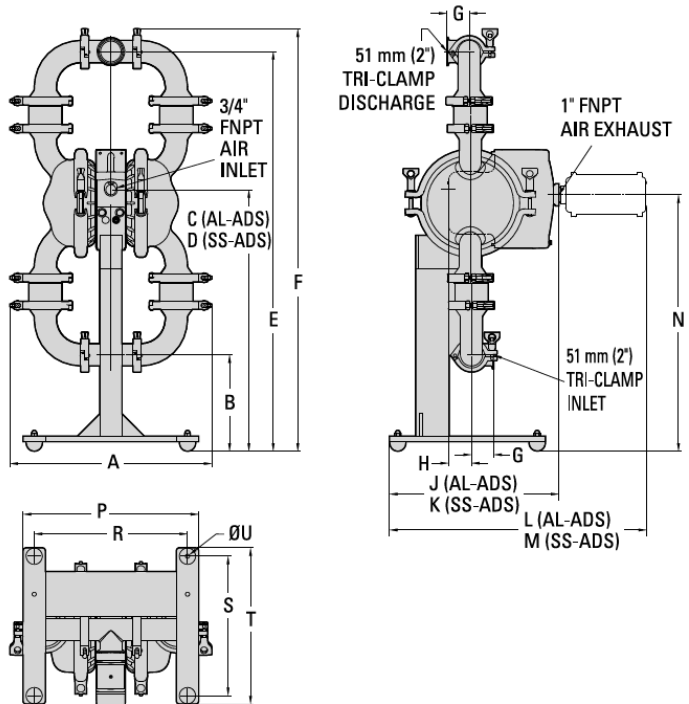
**Material** 316 Stainless Steel  
**Ship Wt** 49 kg (109 lbs)

## NON-WETTED HOUSINGS

**Description** Center Section  
**Material** Nickel Plated Aluminum, 316 SS  
 Air Valve Nickel Plated Aluminum, 316 SS

## ELASTOMER OPTIONS

Sanitary Buna-N® -12.2 (+10) to +82.2 (+180) °C (F°)  
 Saniflex™ -28.9 (+20) to +104.4 (+220) °C (F°)  
 PTFE +4.4 (+40) to +104.4 (+220) °C (F°)  
 Wil-Flex™ -40 (-40) to +107.2 (+225) °C (F°)



### HOLLAND AIR PUMPS BV

De Scheper 260  
 NL 5688 HP OIRSCHOT  
 THE NETHERLANDS

### PHONE

+31 (0)499 551 000

### FAX

+31 (0)499 551 005

### VAT

NL8033.13.123.B01

### ING-BANK ACC

NL79 INGB 068 29 36 022

### ONLINE

WWW.HOLLANDAIRPUMPS.NL  
 INFO@HOLLANDAIRPUMPS.NL

### CHAMBER OF COMMERCE

ROTTERDAM 24.252.831