

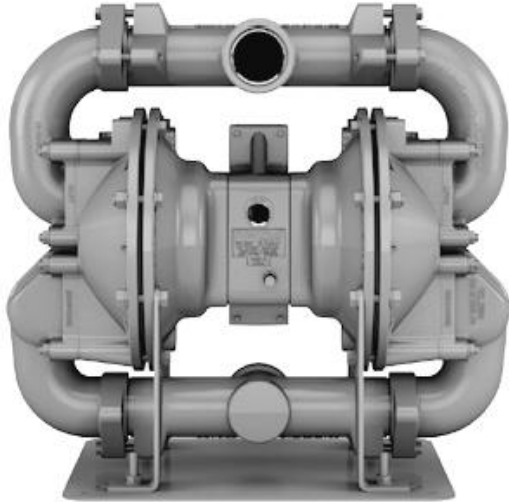
WILDEN PUMP PS810 BRAHMA



**HOLLAND
AIR
PUMPS**

**PRESSURE
TO PERFORM**

2" METAL



MAX FLOW RATE: 640 LPM (169 GPM)

MAX PRESSURE: 8.6 BAR (125 PSI)

MAX SUCTION LIFT CAPABILITY:

7.4 m (24.3') Dry, 9.0 m (29.5') Wet

MAX DIAMETER SOLIDS:

51 mm (2")

WETTED HOUSINGS

Material

Aluminum

Cast Iron

Ship Wt

37 kg (81 lbs)

57 kg (125 lbs)

NON-WETTED HOUSINGS

Description

Center Section

Air Valve

Material

Aluminum

Aluminum

ELASTOMER OPTIONS

Buna-N®

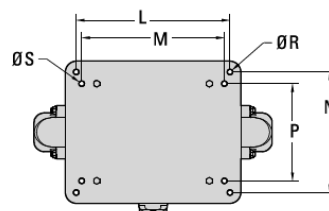
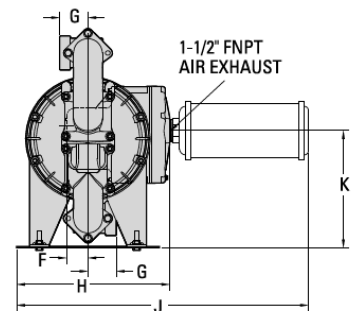
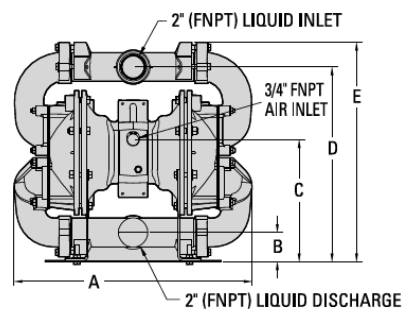
-12.2 (+10) to +82.2 (+180) °C (F°)

Neoprene

-17.8 (+0) to +93.3 (+200) °C (F°)

DIMENSIONS

ITEM	METRIC (mm)	STANDARD (inch)
A	550	21.7
B	68	2.7
C	283	11.1
D	451	17.8
E	509	20.0
F	50	2.0
G	66	2.6
H	354	13.9
J	680	26.7
K	272	10.7
L	356	14.0
M	330	13.0
N	279	11.0
P	226	8.9
R	13	0.5
S	13	0.5



HOLLAND AIR PUMPS BV

De Scheper 260
NL 5688 HP OIRSCHOT
THE NETHERLANDS

PHONE

+31 (0)499 551 000

FAX

+31 (0)499 551 005

VAT

NL8033.13.123.B01

ING-BANK ACC

NL79 INGB 068 29 36 022

ONLINE

WWW.HOLLANDAIRPUMPS.NL
INFO@HOLLANDAIRPUMPS.NL

CHAMBER OF COMMERCE

ROTTERDAM 24.252.831