

# WILDEN PUMP XP025

## 1/4" METAL



**MAX FLOW RATE:** 18.9 LPM (5.0 GPM)

**MAX PRESSURE:** 8.6 BAR (125 PSI)

**MAX SUCTION LIFT CAPABILITY:**

4.1 m (13.5') Dry, 9.3 m (30.5') Wet

**MAX DIAMETER SOLIDS:**

0.4 mm (1/64")

### WETTED HOUSINGS

**Material**

Aluminum

316 Stainless Steel

**Ship Wt**

1.8 kg (4.0 lbs)

4.0 kg (8.9 lbs)

### NON-WETTED HOUSINGS

**Description**

Center Section

Air Valve

**Material**

Polypropylene

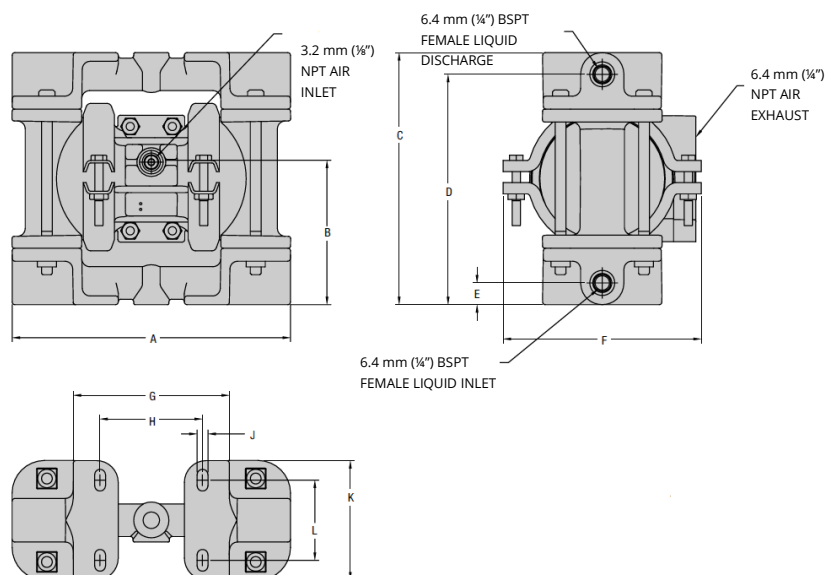
Polypropylene

### ELASTOMER OPTIONS

Buna-N®	-12.2 (+10) to +82.2 (+180) °C (F°)
Neoprene	-17.8 (+0) to +93.3 (+200) °C (F°)
EPDM™	-51.1 (-60) to +137.8 (+280) °C (F°)
Polyurethane	-12.2 (+10) to +65.6 (+150) °C (F°)
Saniflex™	-28.9 (+20) to +104.4 (+220) °C (F°)
PTFE	+4.4 (+40) to +104.4 (+220) °C (F°)
Viton®	-40 (-40) to +176.7 (+350) °C (F°)
Wil-Flex™	-40 (-40) to +107.2 (+225) °C (F°)
Geolast®	-40 (-40) to +82 (+180) °C (F°)

### DIMENSIONS

ITEM	METRIC (mm)	STANDARD (inch)
A	165	6.5
B	84	3.3
C	148	5.8
D	136	5.3
E	13	.5
F	114	4.5
G	92	3.6
H	60	2.4
J	6	.3
K	70	2.8
L	47	1.8



**HOLLAND AIR PUMPS BV**

De Schepers 260  
NL 5688 HP OIRSCHOT  
THE NETHERLANDS

**PHONE**

+31 (0)499 551 000

**FAX**

+31 (0)499 551 005

**VAT**

NL8033.13.123.B01

**ING-BANK ACC**

NL79 INGB 068 29 36 022

**ONLINE**

WWW.HOLLANDAIRPUMPS.NL  
INFO@HOLLANDAIRPUMPS.NL

**CHAMBER OF COMMERCE**

ROTTERDAM 24.252.831