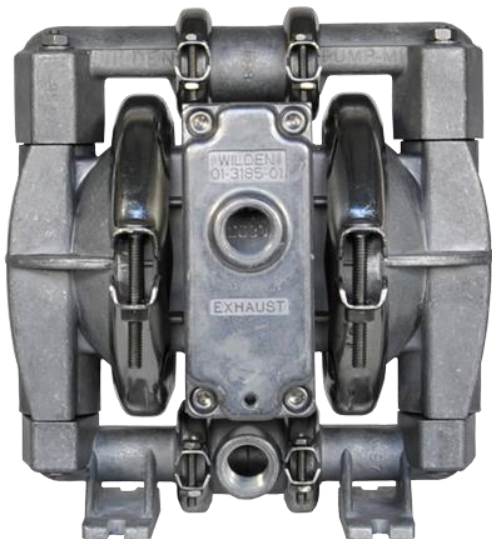


WILDEN PUMP XPS1

1/2" METAL



**HOLLAND
AIR
PUMPS**
PRESSURE
TO PERFORM



MAX FLOW RATE: 60 LPM (15.9 GPM)

MAX PRESSURE: 8.6 BAR (125 PSI)

MAX SUCTION LIFT CAPABILITY:

5.9 m (19.3') Dry, 9.8 m (32.3') Wet

MAX DIAMETER SOLIDS:

1.6 mm (1/16")

WETTED HOUSINGS

Material

Aluminum

316 Stainless Steel

Ship Wt

6 kg (13 lbs)

9 kg (20 lbs)

NON-WETTED HOUSINGS

Description

Center Section

Air Valve

Material

Aluminum

Aluminum

ELASTOMER OPTIONS

Buna-N®

-12.2 (+10) to +82.2 (+180) °C (F°)

Neoprene

-17.8 (+0) to +93.3 (+200) °C (F°)

EPDM™

-51.1 (-60) to +137.8 (+280) °C (F°)

Polyurethane

-12.2 (+10) to +65.6 (+150) °C (F°)

Saniflex™

-28.9 (+20) to +104.4 (+220) °C (F°)

PTFE

+4.4 (+40) to +104.4 (+220) °C (F°)

Viton®

-40 (-40) to +176.7 (+350) °C (F°)

Wil-Flex™

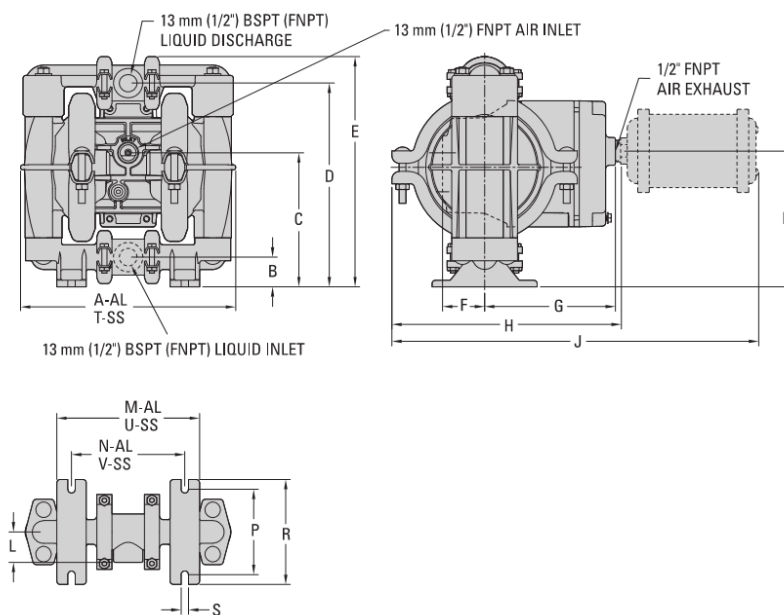
-40 (-40) to +107.2 (+225) °C (F°)

Geolast®

-40 (-40) to +82 (+180) °C (F°)

DIMENSIONS

ITEM	METRIC (mm)	STANDARD (inch)
A	208	8.2
B	28	1.1
C	130	5.1
D	198	7.8
E	224	8.8
F	41	1.6
G	126	5.0
H	216	8.5
J	354	14.0
K	131	5.2
L	30	1.2
M	137	5.4
N	109	4.3
P	84	3.3
R	102	4.0
S	8	0.3
T	203	8.0
U	142	5.6
V	112	4.4



HOLLAND AIR PUMPS BV

De Scheper 260
NL 5688 HP OIRSCHOT
THE NETHERLANDS

PHONE

+31 (0)499 551 000

FAX

+31 (0)499 551 005

VAT

NL8033.13.123.B01

ING-BANK ACC

NL79 INGB 068 29 36 022

ONLINE

WWW.HOLLANDAIRPUMPS.NL
INFO@HOLLANDAIRPUMPS.NL

CHAMBER OF COMMERCE

ROTTERDAM 24.252.831