

WILDEN PUMP XPS1520

3" METAL FIT



**HOLLAND
AIR
PUMPS**
PRESSURE
TO PERFORM



MAX FLOW RATE: 1045 LPM (276 GPM)
MAX PRESSURE: 8.6 BAR (125 PSI)
MAX SUCTION LIFT CAPABILITY:
 6.4 m (21.1') Dry, 9 m (29.5') Wet
MAX DIAMETER SOLIDS:
 12.7 mm (1/2")

WETTED HOUSINGS

Material
Aluminium

Ship Wt
69 kg (152 lbs)

NON-WETTED HOUSINGS

Description
Center Section
Air Valve

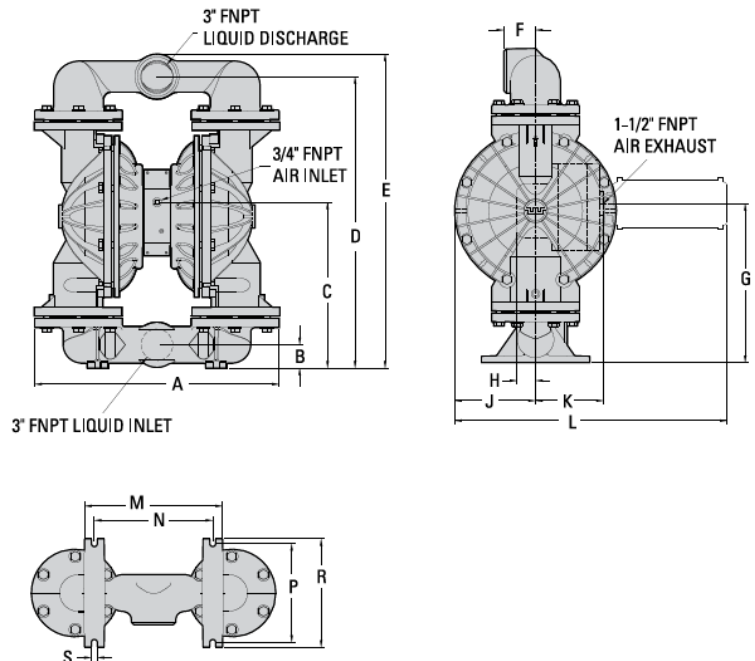
Material
Aluminum
Aluminum

ELASTOMER OPTIONS

Buna-N® -12.2 (+10) to +82.2 (+180) °C (F°)
 Neoprene -17.8 (+0) to +93.3 (+200) °C (F°)
 EPDM™ -51.1 (-60) to +137.8 (+280) °C (F°)
 Polyurethane -12.2 (+10) to +65.6 (+150) °C (F°)
 Saniflex™ -28.9 (+20) to +104.4 (+220) °C (F°)
 PTFE +4.4 (+40) to +104.4 (+220) °C (F°)
 Viton® -40 (-40) to +176.7 (+350) °C (F°)
 Wil-Flex™ -40 (-40) to +107.2 (+225) °C (F°)
 Geolast® -40 (-40) to +82 (+180) °C (F°)

DIMENSIONS

ITEM	METRIC (mm)	STANDARD (inch)
A	635	25.0
B	61	2.4
C	432	17.0
D	759	29.9
E	818	32.2
F	84	3.3
G	414	16.3
H	48	1.9
J	211	8.3
K	177	7.0
L	708	27.9
M	358	14.1
N	307	12.1
P	257	10.1
R	282	11.1
S	15	0.6



HOLLAND AIR PUMPS BV

De Scheper 260
 NL 5688 HP OIRSCHOT
 THE NETHERLANDS

PHONE

+31 (0)499 551 000

FAX

+31 (0)499 551 005

VAT

NL8033.13.123.B01

ING-BANK ACC

NL79 INGB 068 29 36 022

ONLINE

WWW.HOLLANDAIRPUMPS.NL
 INFO@HOLLANDAIRPUMPS.NL

CHAMBER OF COMMERCE

ROTTERDAM 24.252.831