

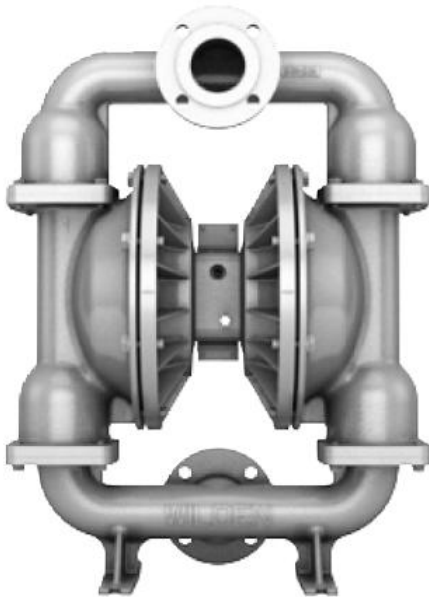
# WILDEN PUMP XPS1530



**HOLLAND  
AIR  
PUMPS**

## 3" METAL FIT Stainless steel

**PRESSURE  
TO PERFORM**



**MAX FLOW RATE:** 1056 LPM (279 GPM)

**MAX PRESSURE:** 8.6 BAR (125 PSI)

**MAX SUCTION LIFT CAPABILITY:**

6.0 m (19.7') Dry, 8.6 m (28.4') Wet

**MAX DIAMETER SOLIDS:**

12.7 mm (1/2")

### DIMENSIONS

ITEM	METRIC (mm)	STANDARD (inch)
A	659	26.0
B	105	4.1
C	477	18.8
D	483	19.0
E	796	31.3
F	890	35.1
G	891	35.3
H	90	3.6
I	88	3.5
K	465	18.3
L	48	1.9
M	211	8.3
N	189	7.4
P	177	7.0
R	721	28.4
S	709	27.9
T	356	14.0
U	305	12.0
V	256	10.1
W	279	11.0
X	14	0.6
	<b>DIN (mm)</b>	<b>ANSI (inch)</b>
Y	200 DIA.	7.5 DIA.
Z	160 DIA.	6.0 DIA.
AA	18 DIA.	0.8 DIA.

### WETTED HOUSINGS

**Material**

Stainless Steel

**Ship Wt**

137 kg (300 lbs)

### NON-WETTED HOUSINGS

**Description**

Center Section

Air Valve

**Material**

Aluminum, Stainless Steel

Aluminum, Stainless Steel

### ELASTOMER OPTIONS

Buna-N®

-12.2 (+10) to +82.2 (+180) °C (F°)

Neoprene

-17.8 (+0) to +93.3 (+200) °C (F°)

EPDM™

-51.1 (-60) to +137.8 (+280) °C (F°)

Polyurethane

-12.2 (+10) to +65.6 (+150) °C (F°)

Saniflex™

-28.9 (+20) to +104.4 (+220) °C (F°)

PTFE

+4.4 (+40) to +104.4 (+220) °C (F°)

Viton®

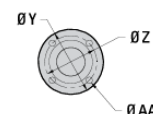
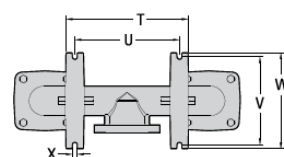
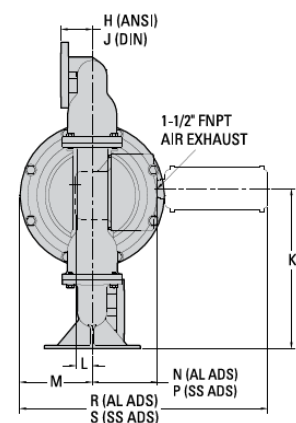
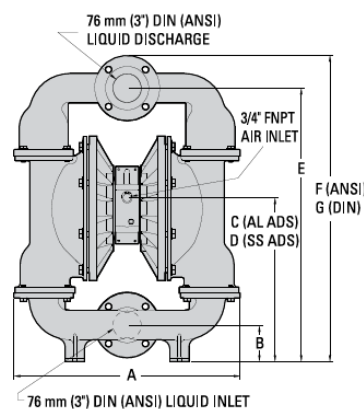
-40 (-40) to +176.7 (+350) °C (F°)

Wil-Flex™

-40 (-40) to +107.2 (+225) °C (F°)

Geolast®

-40 (-40) to +82 (+180) °C (F°)



**HOLLAND AIR PUMPS BV**

De Schepers 260  
NL 5688 HP OIRSCHOT  
THE NETHERLANDS

**PHONE**

+31 (0)499 551 000

**FAX**

+31 (0)499 551 005

**VAT**

NL8033.13.123.B01

**ING-BANK ACC**

NL79 INGB 068 29 36 022

**ONLINE**

WWW.HOLLANDAIRPUMPS.NL  
INFO@HOLLANDAIRPUMPS.NL

**CHAMBER OF COMMERCE**

ROTTERDAM 24.252.831