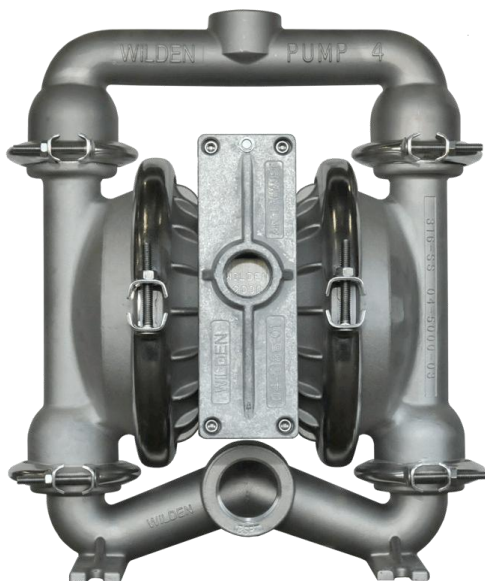


# WILDEN PUMP XPS4

## 1½" METAL Stainless Steel



**MAX FLOW RATE:** 375 LPM (99 GPM)

**MAX PRESSURE:** 8.6 BAR (125 PSI)

**MAX SUCTION LIFT CAPABILITY:**

7 m (22.9') Dry, 8.6 m (28.4') Wet

**MAX DIAMETER SOLIDS:**

4.8 mm (3/16")

### WETTED HOUSINGS

Material	Ship Wt
Aluminum	21 kg (46 lbs)
Cast Iron	30 kg (66 lbs)
316 Stainless Steel	28 kg (61 lbs)

### NON-WETTED HOUSINGS

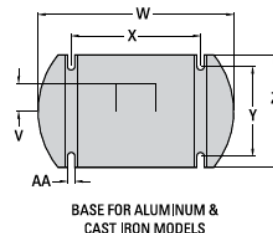
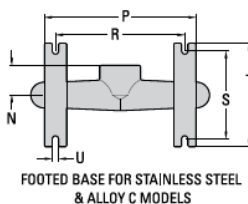
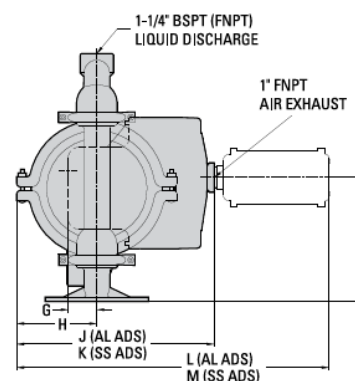
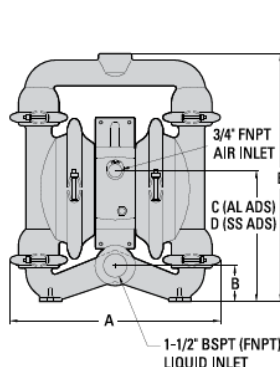
Description	Material
Center Section	Aluminum, 316 Stainless Steel
Air Valve	Aluminum, 316 Stainless Steel

### ELASTOMER OPTIONS

Buna-N®	-12.2 (+10) to +82.2 (+180) °C (F°)
Neoprene	-17.8 (+0) to +93.3 (+200) °C (F°)
EPDM™	-51.1 (-60) to +137.8 (+280) °C (F°)
Polyurethane	-12.2 (+10) to +65.6 (+150) °C (F°)
Saniflex™	-28.9 (+20) to +104.4 (+220) °C (F°)
PTFE	+4.4 (+40) to +104.4 (+220) °C (F°)
Viton®	-40 (-40) to +176.7 (+350) °C (F°)
Wil-Flex™	-40 (-40) to +107.2 (+225) °C (F°)
Geolast®	-40 (-40) to +82 (+180) °C (F°)

### DIMENSIONS

ITEM	METRIC (mm)	STANDARD (inch)
A	368	14.5
B	64	2.5
C	225	8.9
D	231	9.1
E	429	16.9
F	213	8.4
G	48	1.9
H	138	5.4
J	340	13.4
K	327	12.9
L	537	21.1
M	525	20.7
N	51	2.0
P	262	10.3
R	224	8.8
S	150	5.9
T	178	7.0
U	10	0.4
V	48	1.9
W	338	13.3
X	224	8.8
Y	155	6.1
Z	193	7.6
AA	13	0.5



#### HOLLAND AIR PUMPS BV

De Schepers 260  
NL 5688 HP OIRSCHOT  
THE NETHERLANDS

#### PHONE

+31 (0)499 551 000

#### FAX

+31 (0)499 551 005

#### VAT

NL8033.13.123.B01

#### ING-BANK ACC

NL79 INGB 068 29 36 022

#### ONLINE

WWW.HOLLANDAIRPUMPS.NL  
INFO@HOLLANDAIRPUMPS.NL

#### CHAMBER OF COMMERCE

ROTTERDAM 24.252.831