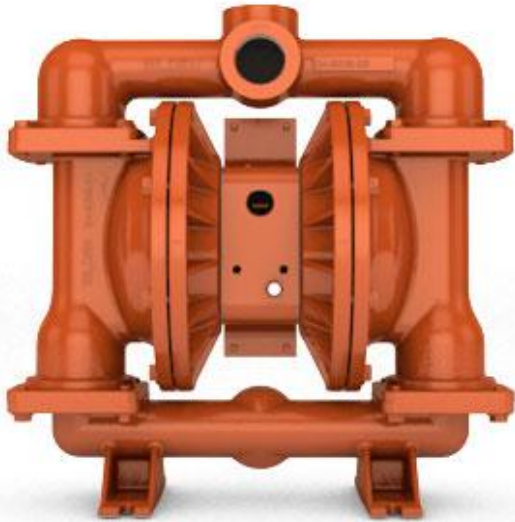


# WILDEN PUMP XPS420

## 1½" METAL FIT



**MAX FLOW RATE:** 510 LPM (135 GPM)  
**MAX PRESSURE:** 8.6 BAR (125 PSI)  
**MAX SUCTION LIFT CAPABILITY:**  
 5.9 m (19.5') Dry, 9.0 m (29.5') Wet  
**MAX DIAMETER SOLIDS:**  
 6.4 mm (1/4")

### WETTED HOUSINGS

**Material**  
 Aluminum

**Ship Wt**  
 26 kg (57 lbs)

### NON-WETTED HOUSINGS

**Description**  
 Center Section  
 Air Valve

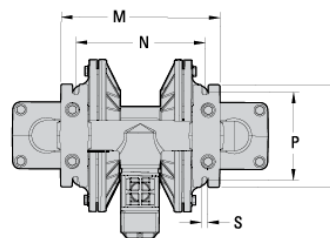
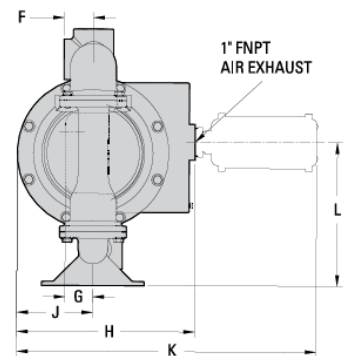
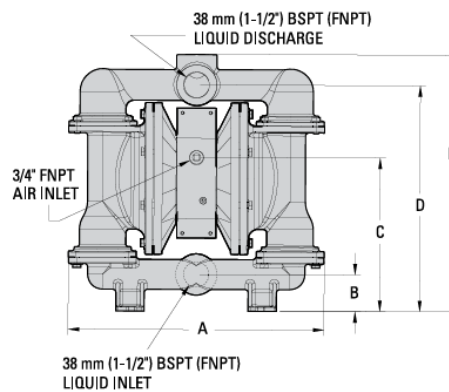
**Material**  
 Aluminum  
 Aluminum

### ELASTOMER OPTIONS

Buna-N® -12.2 (+10) to +82.2 (+180) °C (F°)  
 Neoprene -17.8 (+0) to +93.3 (+200) °C (F°)  
 EPDM™ -51.1 (-60) to +137.8 (+280) °C (F°)  
 Polyurethane -12.2 (+10) to +65.6 (+150) °C (F°)  
 Saniflex™ -28.9 (+20) to +104.4 (+220) °C (F°)  
 PTFE +4.4 (+40) to +104.4 (+220) °C (F°)  
 Viton® -40 (-40) to +176.7 (+350) °C (F°)  
 Wil-Flex™ -40 (-40) to +107.2 (+225) °C (F°)  
 Geolast® -40 (-40) to +82 (+180) °C (F°)

### DIMENSIONS

ITEM	METRIC (mm)	STANDARD (inch)
A	442	17.4
B	64	2.5
C	266	10.5
D	391	15.4
E	445	17.5
F	51	2.0
G	48	1.9
H	308	12.1
J	132	5.2
K	518	20.4
L	249	9.8
M	274	10.8
N	224	8.8
P	152	6.0
R	178	7.0
S	11	0.4



#### HOLLAND AIR PUMPS BV

De Scheper 260  
 NL 5688 HP OIRSCHOT  
 THE NETHERLANDS

#### PHONE

+31 (0)499 551 000

#### FAX

+31 (0)499 551 005

#### VAT

NL8033.13.123.B01

#### ING-BANK ACC

NL79 INGB 068 29 36 022

#### ONLINE

WWW.HOLLANDAIRPUMPS.NL  
 INFO@HOLLANDAIRPUMPS.NL

#### CHAMBER OF COMMERCE

ROTTERDAM 24.252.831