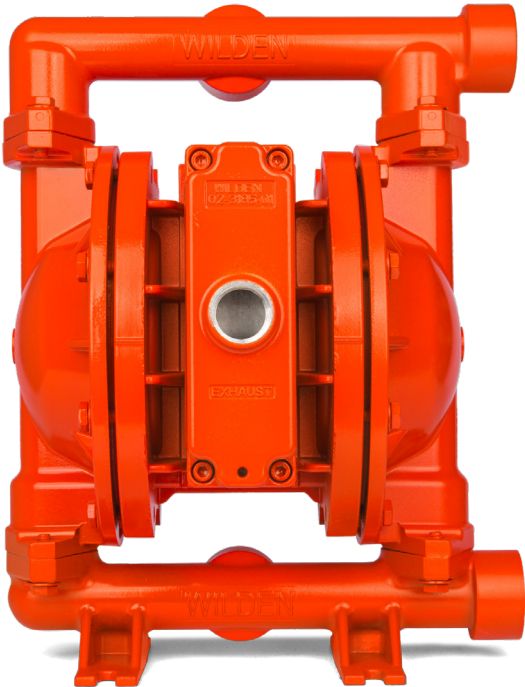


WILDEN PUMP XPR260

1" METAL



MAX FLOW RATE: 182 LPM (48 GPM)
MAX PRESSURE: 8.6 BAR (125 PSI)
MAX SUCTION LIFT CAPABILITY:
 6.9 m (22.7') Dry, 9.0 m (29.5') Wet
MAX DIAMETER SOLIDS:
 3.2 mm (1/8")

WETTED HOUSINGS

Material	Ship Wt
Aluminium	10 kg (22 lbs)

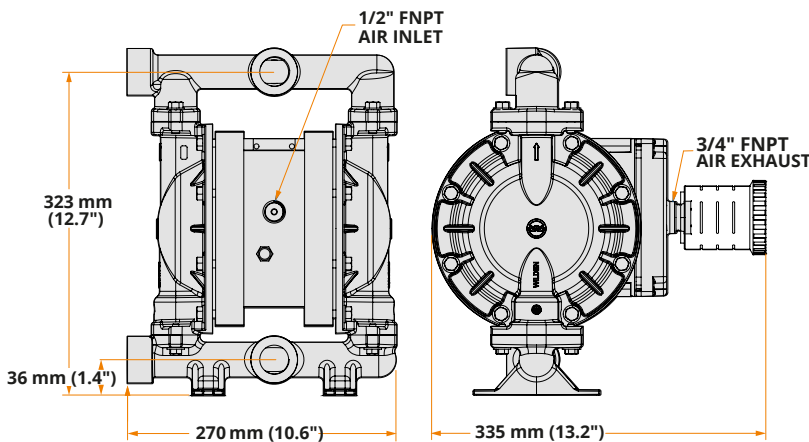
NON-WETTED HOUSINGS

Description	Material
Center Section	Aluminium
Air Valve	Aluminium

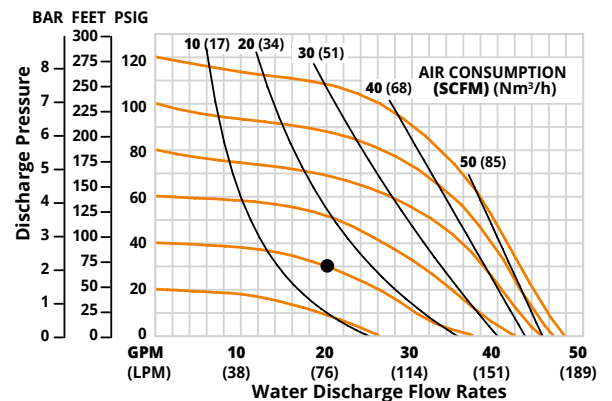
ELASTOMER OPTIONS

Buna-N®	-12.2 (+10) to +82.2 (+180) °C (F°)
Neoprene	-17.8 (+0) to +93.3 (+200) °C (F°)
EPDM™	-51.1 (-60) to +137.8 (+280) °C (F°)
Polyurethane	-12.2 (+10) to +65.6 (+150) °C (F°)
Saniflex™	-28.9 (+20) to +104.4 (+220) °C (F°)
PTFE	+4.4 (+40) to +104.4 (+220) °C (F°)
Viton®	-40 (-40) to +176.7 (+350) °C (F°)
Wil-Flex™	-40 (-40) to +107.2 (+225) °C (F°)
Geolast®	-40 (-40) to +82 (+180) °C (F°)

DIMENSIONS



FLOW CURVE PTFE-FITTED



HOLLAND AIR PUMPS BV

DE SCHEPER 260
 NL 5688 HP OIRSCHOT
 THE NETHERLANDS

PHONE

+31 (0)499 551 000

EMAIL

INFO@HOLLANDAIRPUMPS.NL

VAT

NL8033.13.123.B01

ING BANK ACC

NL79 INGB 068 29 36 02

ONLINE

WWW.HOLLANDAIRPUMPS.NL

CHAMBER OF COMMERCE

ROTTERDAM 24.252.831