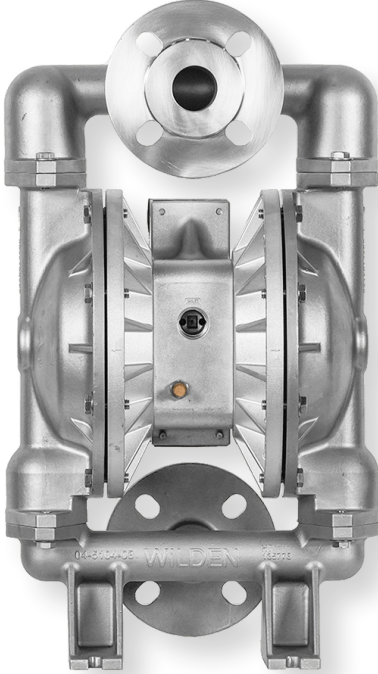


WILDEN PUMP XPR470

1 1/2" METAL Stainless Steel



WETTED HOUSINGS

Material	Ship Weight
Stainless Steel	28.8 kg (63 lbs)

NON-WETTED HOUSINGS

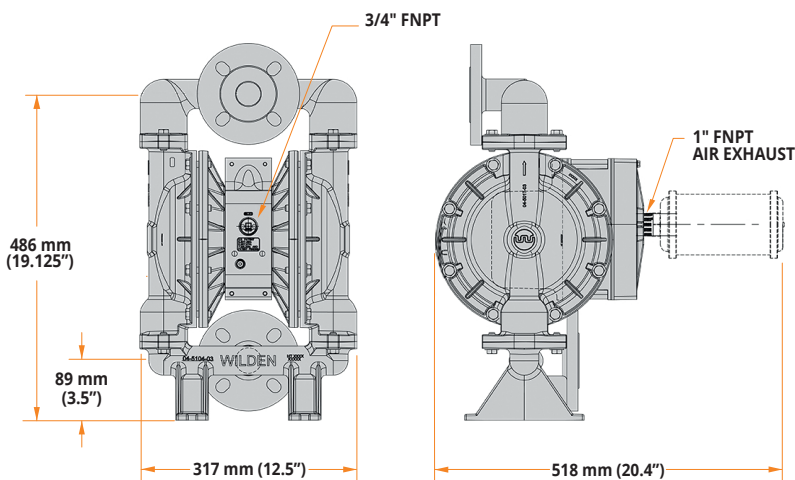
Description	Material
Center Section	Aluminium
Air Valve	Aluminium

ELASTOMER OPTIONS

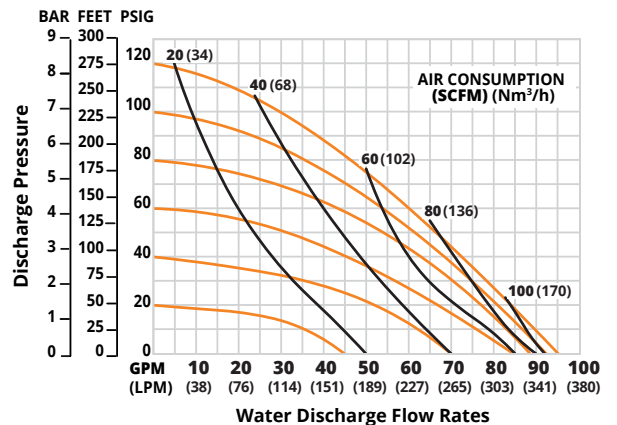
Buna-N®	-12.2 (+10) to +82.2 (+180) °C (F°)
Neoprene	-17.8 (+0) to +93.3 (+200) °C (F°)
EPDMTM	-51.1 (-60) to +137.8 (+280) °C (F°)
Polyurethane	-12.2 (+10) to +65.6 (+150) °C (F°)
Saniflex™	-28.9 (+20) to +104.4 (+220) °C (F°)
PTFE	+4.4 (+40) to +104.4 (+220) °C (F°)
Viton®	-40 (-40) to +176.7 (+350) °C (F°)
Wil-Flex™	-40 (-40) to +107.2 (+225) °C (F°)
Geolast®	-40 (-40) to +82 (+180) °C (F°)

MAX FLOW RATE: 360 LPM (95 GPM)
MAX PRESSURE: 8.6 BAR (125 PSIG)
MAX SUCTION LIFT CAPABILITY:
 6.5 M DRY (21.3"), 9.0 M WET (29.5")
MAX. SIZE SOLIDS:
 4.8 mm (3/16")

DIMENSIONS



FLOW CURVE PTFE-FITTED



HOLLAND AIR PUMPS BV

DE SCHEPER 260
 NL 5688 HP OIRSCHOT
 THE NETHERLANDS

PHONE

+31 (0)499 551 000

EMAIL

INFO@HOLLANDAIRPUMPS.NL

VAT

NL8033.13.123.B01

ING BANK ACC

NL79 INGB 068 29 36 02

ONLINE

WWW.HOLLANDAIRPUMPS.NL

CHAMBER OF COMMERCE

ROTTERDAM 24.252.831