

# WILDEN PUMP XPR860

## 2" METAL Stainless Steel



**MAX FLOW RATE:** 651 LPM (172 GPM)  
**MAX PRESSURE:** 8.6 BAR (125 PSI)  
**MAX SUCTION LIFT CAPABILITY:**  
 5.9 m (19.5') Dry, 8.7 m (28.4') Wet  
**MAX DIAMETER SOLIDS:**  
 6.4 mm (1/4")

### WETTED HOUSINGS

Material	Ship Wt
Stainless Steel	55 kg (121 lbs)

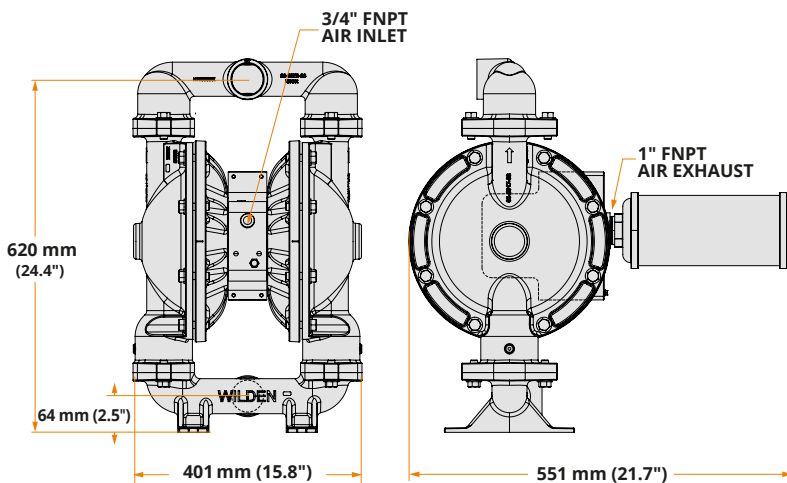
### NON-WETTED HOUSINGS

Description	Material
Center Section	Aluminium
Air Valve	Aluminium

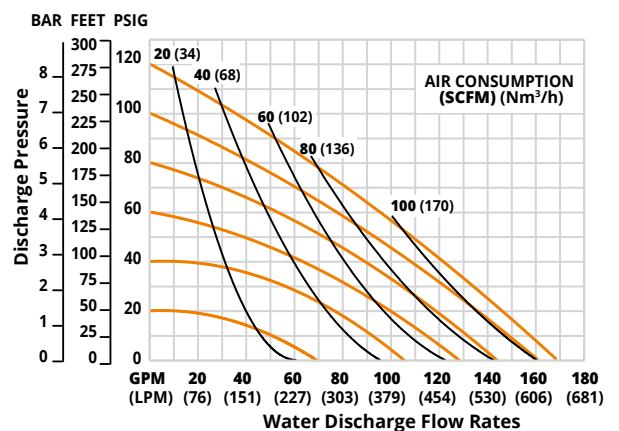
### ELASTOMER OPTIONS

Buna-N®	-12.2 (+10) to +82.2 (+180) °C (F°)
Neoprene	-17.8 (+0) to +93.3 (+200) °C (F°)
EPDM™	-51.1 (-60) to +137.8 (+280) °C (F°)
Polyurethane	-12.2 (+10) to +65.6 (+150) °C (F°)
Saniflex™	-28.9 (+20) to +104.4 (+220) °C (F°)
PTFE	+4.4 (+40) to +104.4 (+220) °C (F°)
Viton®	-40 (-40) to +176.7 (+350) °C (F°)
Wil-Flex™	-40 (-40) to +107.2 (+225) °C (F°)
Geolast®	-40 (-40) to +82 (+180) °C (F°)

### DIMENSIONS



### FLOW CURVE PTFE-FITTED



#### HOLLAND AIR PUMPS BV

DE SCHEPER 260  
 NL 5688 HP OIRSCHOT  
 THE NETHERLANDS

#### PHONE

+31 (0)499 551 000

#### EMAIL

INFO@HOLLANDAIRPUMPS.NL

#### VAT

NL8033.13.123.B01

#### ING BANK ACC

NL79 INGB 068 29 36 02

#### ONLINE

WWW.HOLLANDAIRPUMPS.NL

#### CHAMBER OF COMMERCE

ROTTERDAM 24.252.831